



**coronet** | Scaffold |  
Building Future!



# CUPLOCK SYSTEM

WE  
PROVIDE  
SCAFFOLDING  
GLOBALLY.

2023

CORONET

# TABLE OF CONTENTS

2023



<b>INTRODUCTION</b>	<b>02</b>
<b>OVERVIEW</b>	<b>03-05</b>
Coronet Quality	03
Product Traceability	04
<b>CUPLOCK SYSTEM</b>	<b>05-24</b>
Standard	05
Horizontal	06-07
Truss	08
Diagonal Brace	09-10
Steel Plank 9" Width	11
Hop Up Bracket	12
Adjustable Caster Adapert	13
Adjustable Base Jack	14
Swivel Base Jack	15
12" Caster Wheel	16
Safety Gate	17
Steel Ladder & Ladder Bracket	18
Intermediate Transom	19
Steel Stair With Hooks	20
Deck Adapter	21
Cuplockext Adapter	22
Return Device	23
Support Spigot Description	24

ABOUT

# CORONET



Founded in 2004, Coronet has its headquarters in Suzhou, China, subsidiary in L.A, USA. We have evolved from a small scaffold company in 2004 to one of the largest and most successful and qualified scaffolding companies in China. We have worked diligently and successfully together for the past 19 years to make Coronet Scaffold the success it is today, and look forward to Coronet's continued growth and success, going forward into more scaffolding sales and innovations.



**[ CORONET'S VALUES ]**  
**Customers first, Integrity, Teamwork.**

# OVERVIEW

## Coronet Quality

### [ MATERIAL ]

We only use the high quality steel in our products. Our steel facilities in Southern China (Near Shanghai) which is known for the quality of its steel and workmanship.

### [ WELDING ]

Our welding process monitoring and control involves routine or continuous monitoring of process variables, particularly current, time and force.

### [ FINISHING ]

Frame productions are finished and protected by hot-dipped zinc galvanizing or powder coated. This method of finishing maximizes surface durability.

### [ TRACEABILITY ]

Traceability imprinted code on all frames for quality assurance.

# OVERVIEW

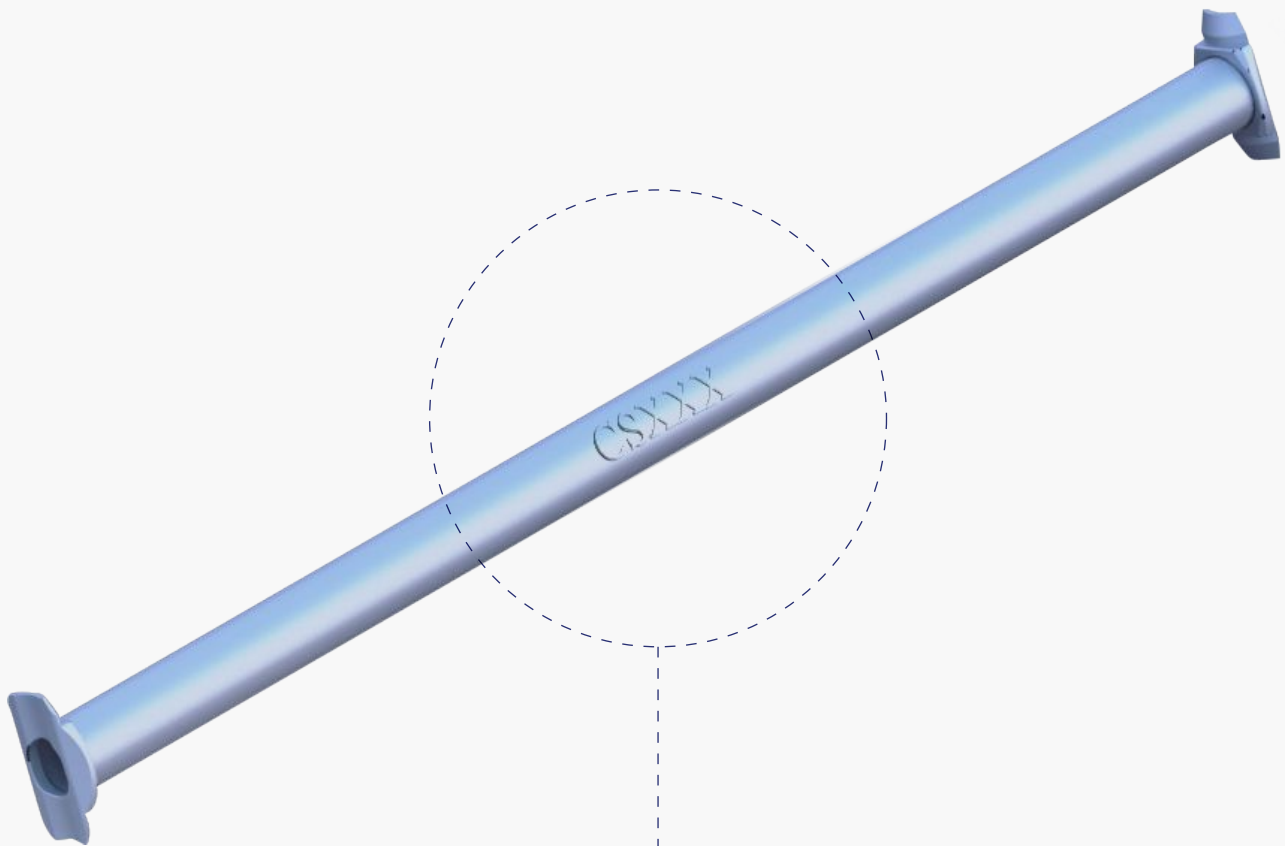
## Product Traceability

All coronet componets are stamped with traceability marks.

### KEY

Batch Number : CS X XXX

CS= Coronet Scaffold    X= Year of Manufacture    XXX= Order Number

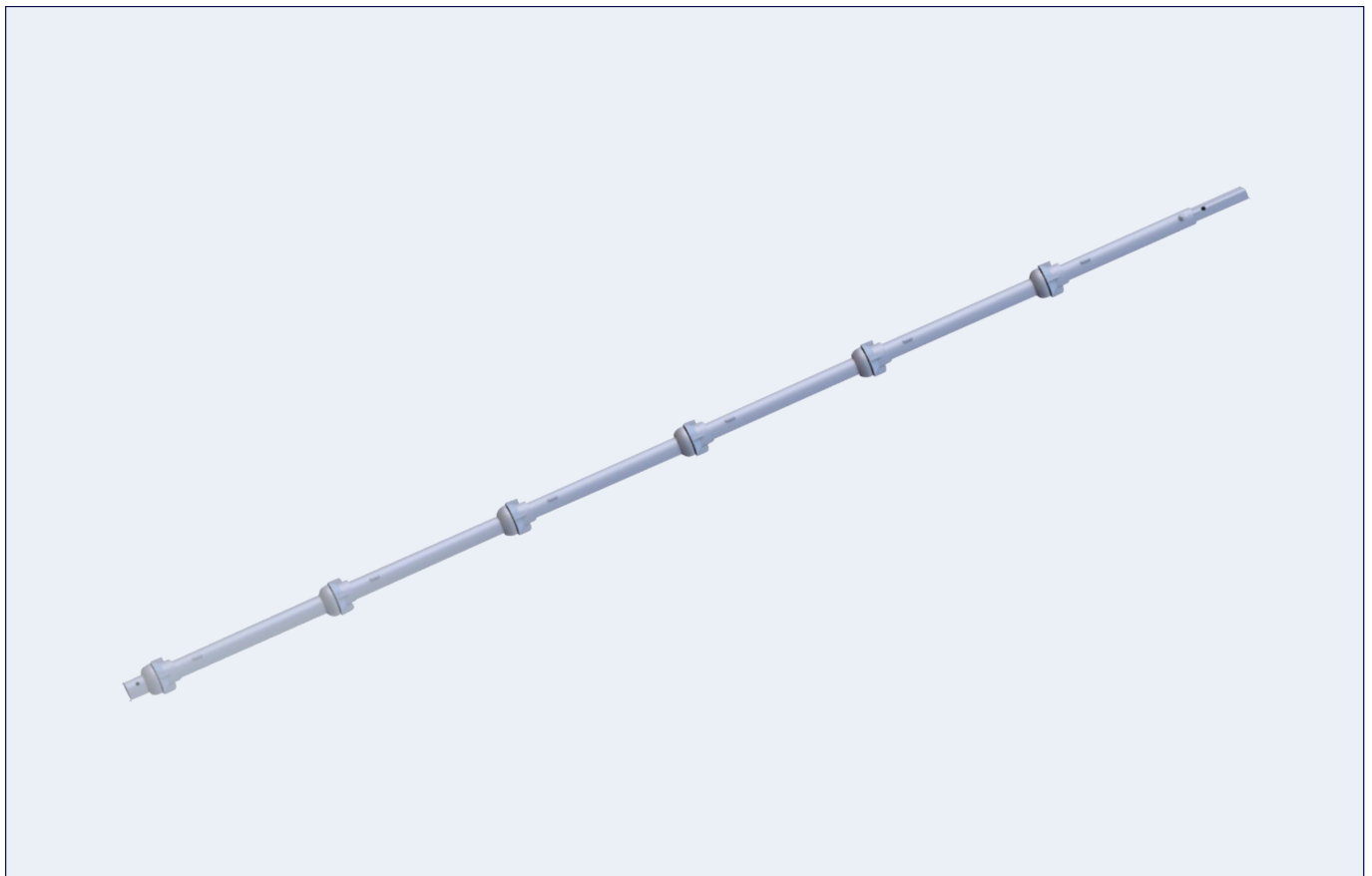


CSXXX

# CUPLOCK SYSTEM

## Standard

CuplockStandard (Vertical), Tube size: OCuplock Standard (Vertical), Tube size: OD48.3x3.2mm, Steel Grade:S235 or S355 ,Distance between two cups 500mm, Top cup drop forged and Bottom cup pressed. Surface treatment: Hot dip galvanized or Painted.D48.3x3.2mm, Steel Grade:S235 or S355 ,Distance between two cups 500mm, Top cup drop forged and Bottom cup pressed. Surface treatment: Hot dip galvanized or Painted.



Item No.	Description	Weight (kgs)
		Kgs
CV910	Vertical With Spigot 3.0meter/ 9'10"	16.80
CV82	Vertical With Spigot 2.5meter/ 8'2"	14.04
CV66	Vertical With Spigot 2.0meter/ 6'6"	11.41
CV411	Vertical With Spigot 1.5meter/ 4'11"	8.70
CV33	Vertical With Spigot .1 Ometer /3'3"	6.02
CV10	Vertical With Spigot 0.5meter/ 1'8"	3.32

# CUPLOCK SYSTEM

## Horizontal

Cuplock Horizontal, Tube size: OD48.3X3.2mm, SteelGrade:S235 or S355, Ledger Blade drop forged. Surface treatment: Hot dip galvanized or Painted.



Item No.	Description	Weight (kgs)
		Kgs
CH100	Horizontal 10'/3.05 meter	11.20
CH90	Horizontal 9'/2.74 meter	10.09
CH80	Horizontal 8'/2.44 meter	9.02
CH70	Horizontal 7'/2.13 meter	7.92
CH60	Horizontal 6'/1.83 meter	7.13
CH52	Horizontal 5'2"/1.57 meter	7.02
CH50	Horizontal 5'/1.52 meter	5.96
CH40	Horizontal 4'/1.22 meter	4.82
CH36	Horizontal 3'6' /1.07 meter	4.24

# CUPLOCK SYSTEM

## Horizontal

Cuplock Horizontal, Tube size: OD48.3X3.2mm, SteelGrade:S235 or S355, Ledger Blade drop forged. Surface treatment: Hot dip galvanized or Painted.



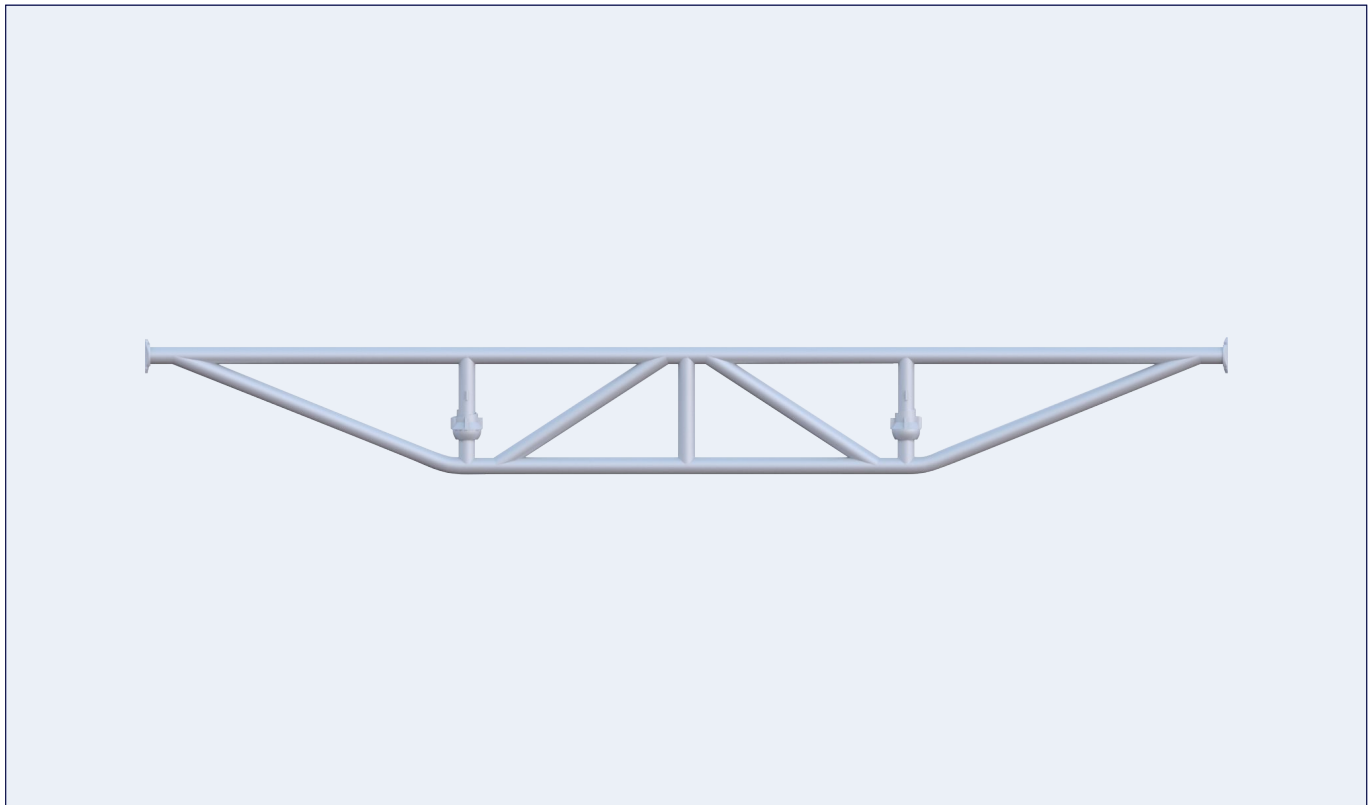
Item No.	Description	Weight (kgs)
		Kgs
CH30	Horizontal 3'/0.91 meter	3.72
CH211	Horizontal 2'11"/0.910 meter	3.61
CH27	Horizontal 2'7"/0.79 meter	3.18
CH110	Horizontal 1'10"/0.56 meter	2.32



# CUPLOCK SYSTEM

## Truss

Cuplock Horizontal, Tube size: OD48.3X3.2mm, SteelGrade:S235 or S355, Ledger Blade drop forged. Surface treatment: Hot dip galvanized or Painted.



Item No.	Description	Weight (kgs)
		Kgs
CTL70	Cuplock Truss 7'/2.13 meter	16.00
CTL80	Cuplock Truss 8'/2.44 meter	24.40
CTL90	Cuplock Truss 9'/2.74 meter	27.50
CTL100	Cuplock Truss 10'/3.05 meter	30.40
CTL120	Cuplock Truss 12'/3.66 meter	36.00
CTL140	Cuplock Truss 14'/4.27 meter	41.70
CTL160	Cuplock Truss 16'/4.88 meter	49.50
CTL180	Cuplock Truss 18'/5.49 meter	54.80
CTL200	Cuplock Truss 20'/6.10 meter	70.00
CTL210	Cuplock Truss 21'/6.40 meter	88.50

# CUPLOCK SYSTEM

## Diagonal Brace

Cuplock Diagonal Brace, Tube size: OD48.3x2.5mm, Steel Grade:S235, Surface treatment: Hot dip galvanized or Painted. Diagonal Brace have two types: Swivel Face Brace blade end and Swivel Clamp Brace Coupler End.

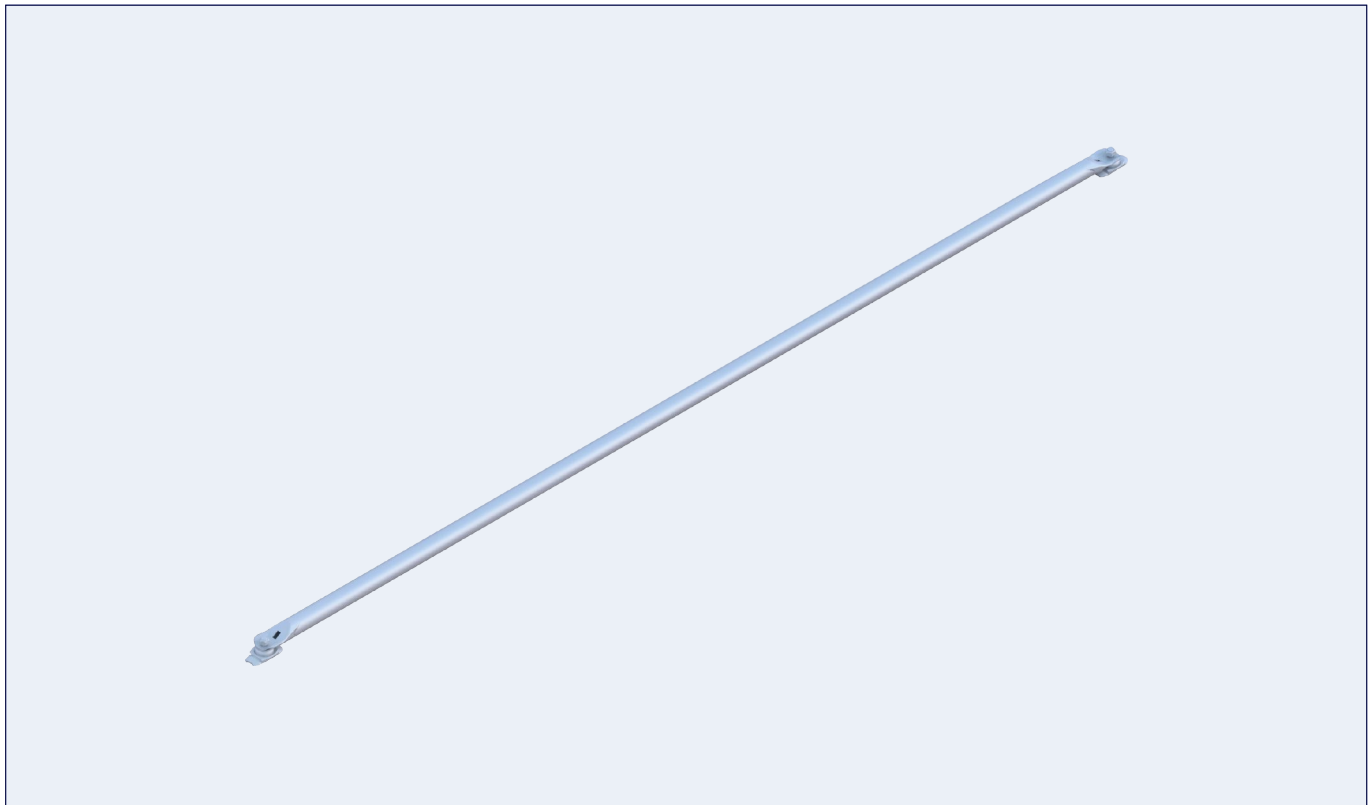


Item No.	Description	Weight (kgs)
		Kgs
CCB40	Swivel Clamp Brace 4'/1.22x2 meter	7.90
CCB50	Swivel Clamp Brace 5'x6'6"/1.52x2 meter	9.10
CCB70	Swivel Clamp Brace 7'x6'6"/2.13x2 meter	10.50
CCB80	Swivel Clamp Brace 8'x6'6"/2.44x2 meter	11.40
CCB82	Swivel Clamp Brace 8'2"x6'6"/2.5x2 meter	11.50
CCB86	Swivel Clamp Brace 8'6"x6'6" /2.57x2 meter	11.70
CCB90	Swivel Clamp Brace 9' x6'6"/2.74x2 meter	12.20
CCB100	Swivel Clamp Brace 10'x6'6"/3.05x2 meter	13.00

# CUPLOCK SYSTEM

## Diagonal Brace

Cuplock Diagonal Brace, Tube size: OD48.3x2.5mm, Steel Grade:S235, Surface treatment: Hot dip galvanized or Painted. Diagonal Brace have two types: Swivel Face Brace blade end and Swivel Clamp Brace Coupler End.

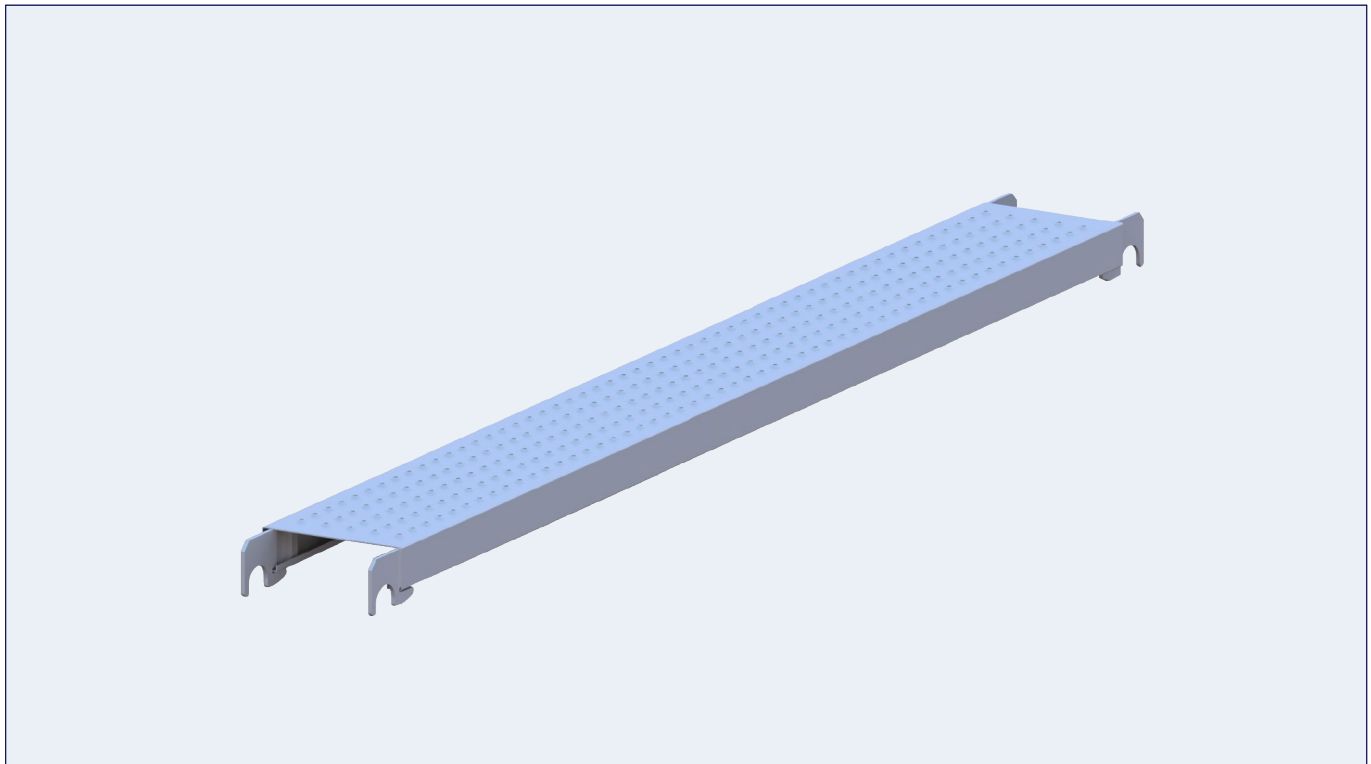


Item No.	Description	Weight (kgs)
		Kgs
CFB40	Swivel Face Brace 4'x6'6TM/1.22x2 meter	7.20
CFB50	Swivel Face Brace 5'x6'6"/1.52x2 meter	7.80
CFB511	Swivel Face Brace 5'11'x6'6"/1.80x2 meter	8.50
CFB70	Swivel Face Brace 7'x6'6"/2.13x2 meter	8.80
CEB80	Swivel Face Brace 8'x6'6"/2.44x2 meter	9.20
CEB82	Swivel Face Brace 8'2"x6'6"/2.50x2 meter	9.50
CFB90	Swivel Face Brace 9'x6'6"/2.74x2 meter	10.00
CEB100	Swivel Face Brace 10'x6'6"/3.05x2 meter	10.60

# CUPLOCK SYSTEM

## Steel Plank 9" Width

Cuplock Steel Plank, Steel Grade:S235 Width:228.6mm,Height:63.5mm, Thickness: 1.8mm. Surface treatment:Hot dip galvanized or Pre-galvanized.

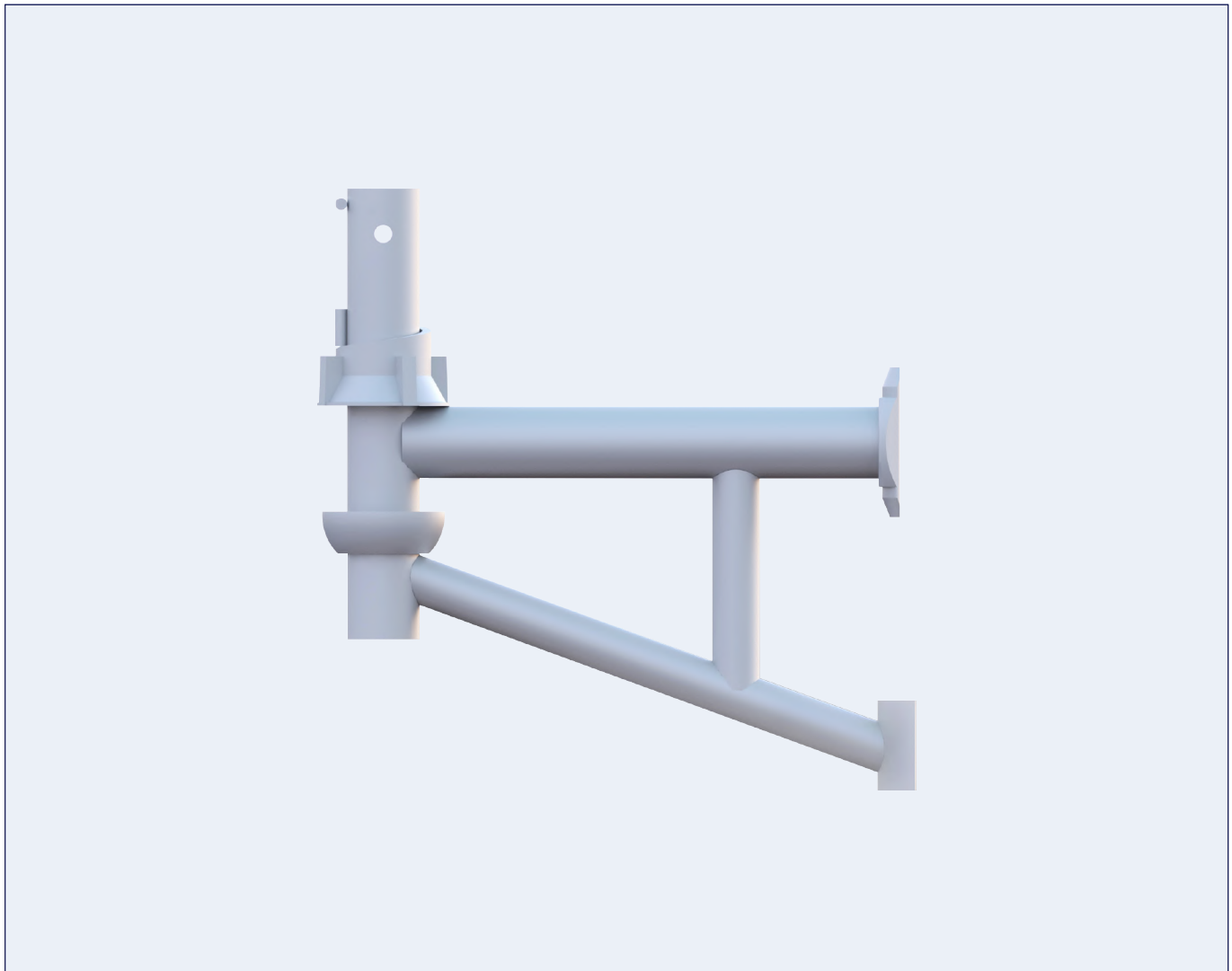


Item No.	Description	Weight (kgs)
		Kgs
SSP100	Steel Plank with Hook 10'/3.05 meter	20.30
SSP90	Steel Plank with Hook 9'/2.74 meter	18.36
SSP80	Steel Plank with Hook 8'/2.44 meter	16.48
SSP70	Steel Plank with Hook 7'/2.13 meter	14.66
SSP60	Steel Plank with Hook 6'/1.83 meter	12.74
SSP52	Steel Plank with Hook 5'2"/1.57 meter	10.50
SSP50	Steel Plank with Hook 5'/1.52 meter	10.86
SSP40	Steel Plank with Hook 4'/1.22 meter	8.95
SSP36	Steel Plank with Hook 3'6"/1.07 meter	8.01
SSP30	Steel Plank with Hook 3'/0.91 meter	7.08
SSP27	Steel Plank with Hook 2'7"/0.79 meter	6.30

# CUPLOCK SYSTEM

## Hop Up Bracket

Cuplock Hop up Bracket, Tube size: 48.3×3.2mm & 33.4×2.5mm. Surface treatment: Hot dip galvanized or Painted.

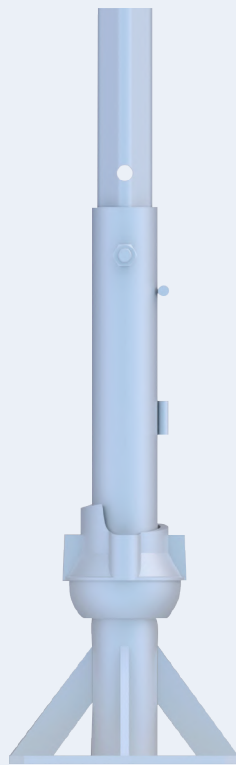


Item No.	Description	Weight (kgs)
		Kgs
CBB1	1 Board Bracket 1'/0.29meter	1.50
CBB2	2 Board Bracket 1'10"/0.565meter	5.70
CBB3	3 Board Bracket 2'7"/ 0.795meter	7.60

# CUPLOCK SYSTEM

## Adjustable Caster Adapert

Cuplock Caster Adapter is mainly used for connecting caster wheel to the vertical pole. Surface treatment: Hot dip galvanized or Painted.

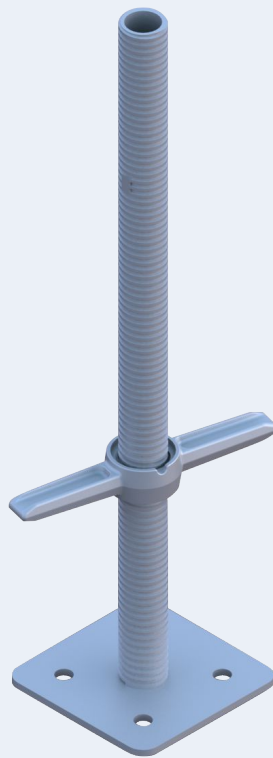


Item No.	Description	Weight (kgs)
		Kgs
CACA	Adjustable Caster Adapert	4.80

# CUPLOCK SYSTEM

## Adjustable Base Jack

Cuplock Base Jack, OD: 38.1×4.5mm. Surface treatment: Hot dip galvanized or Electroplated.

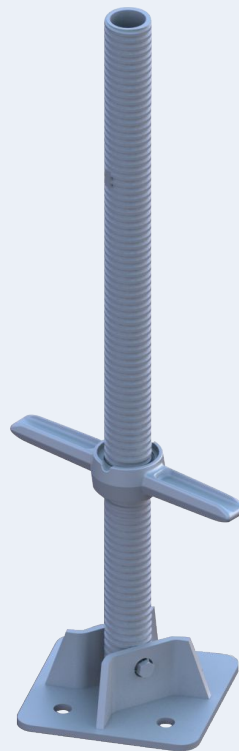


Item No.	Description	Weight (kgs)
		Kgs
a	24" Hollow Base Jack	3.90

# CUPLOCK SYSTEM

## Swivel Base Jack

Cuplock Swivel Base Jack can be used when standards need to be placed on slopes. OD: 38.1×4.5mm. Surface treatment: Hot dip galva- nized or Electroplated.



Item No.	Description	Weight (kgs)
		Kgs
CSJB	24" Hollow Base Jack	3.90



# CUPLOCK SYSTEM

## 12" Caster Wheel

Scaffolding caster wheel is used at bottom of scaffolding vertical tube, enabling the scaffolding system to be a mobile Platform.

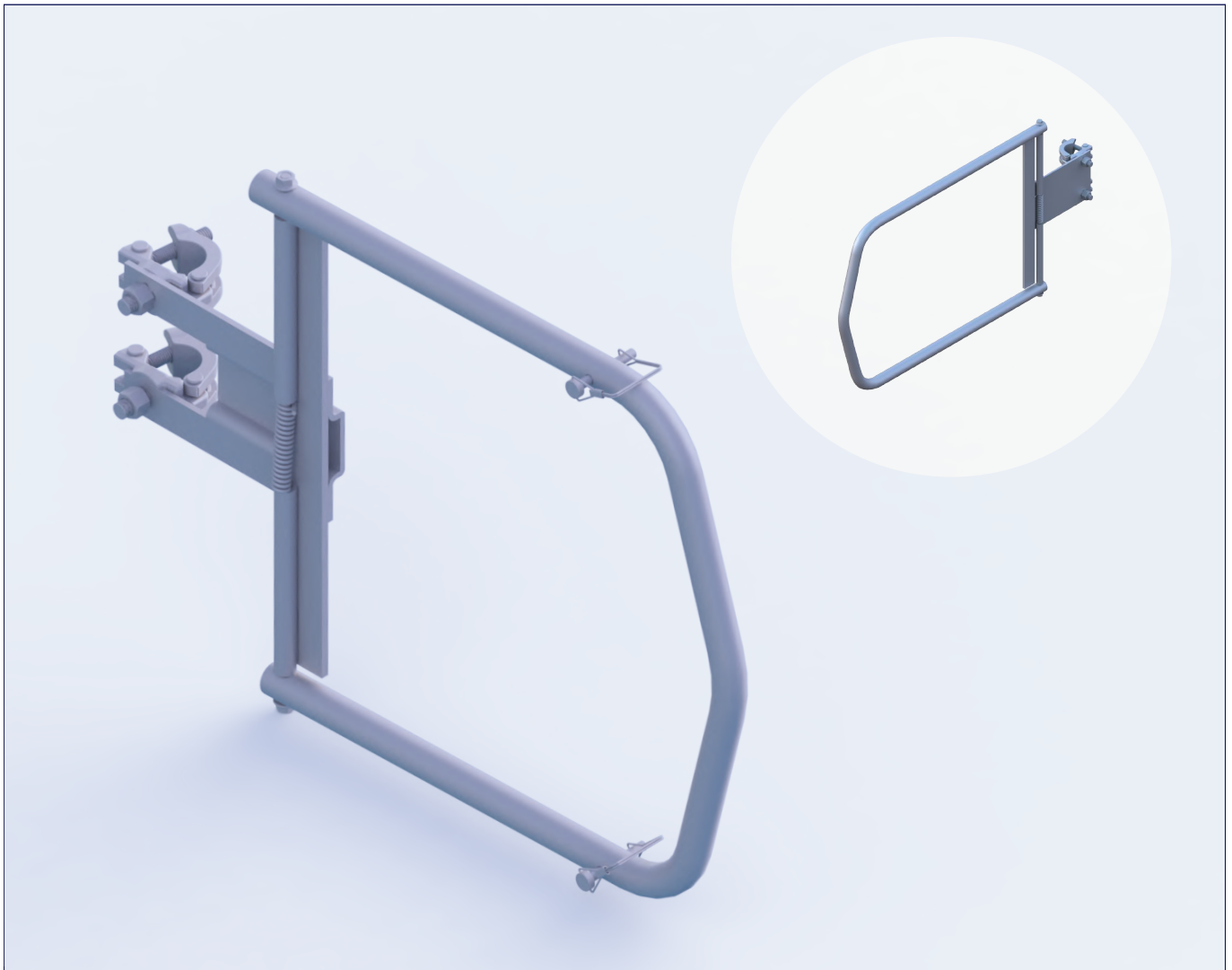


Item No.	Description	Weight (kgs)
		Kgs
CW12	12" Caster Wheel	16.00

# CUPLOCK SYSTEM

## Safety Gate

Cuplock safety gate allows safe access to the working platform, sprung gate mechanism ensures that the access opening remains fully closed when the scaffold is in use. Surfacetreatment: Hot dip galvanized.

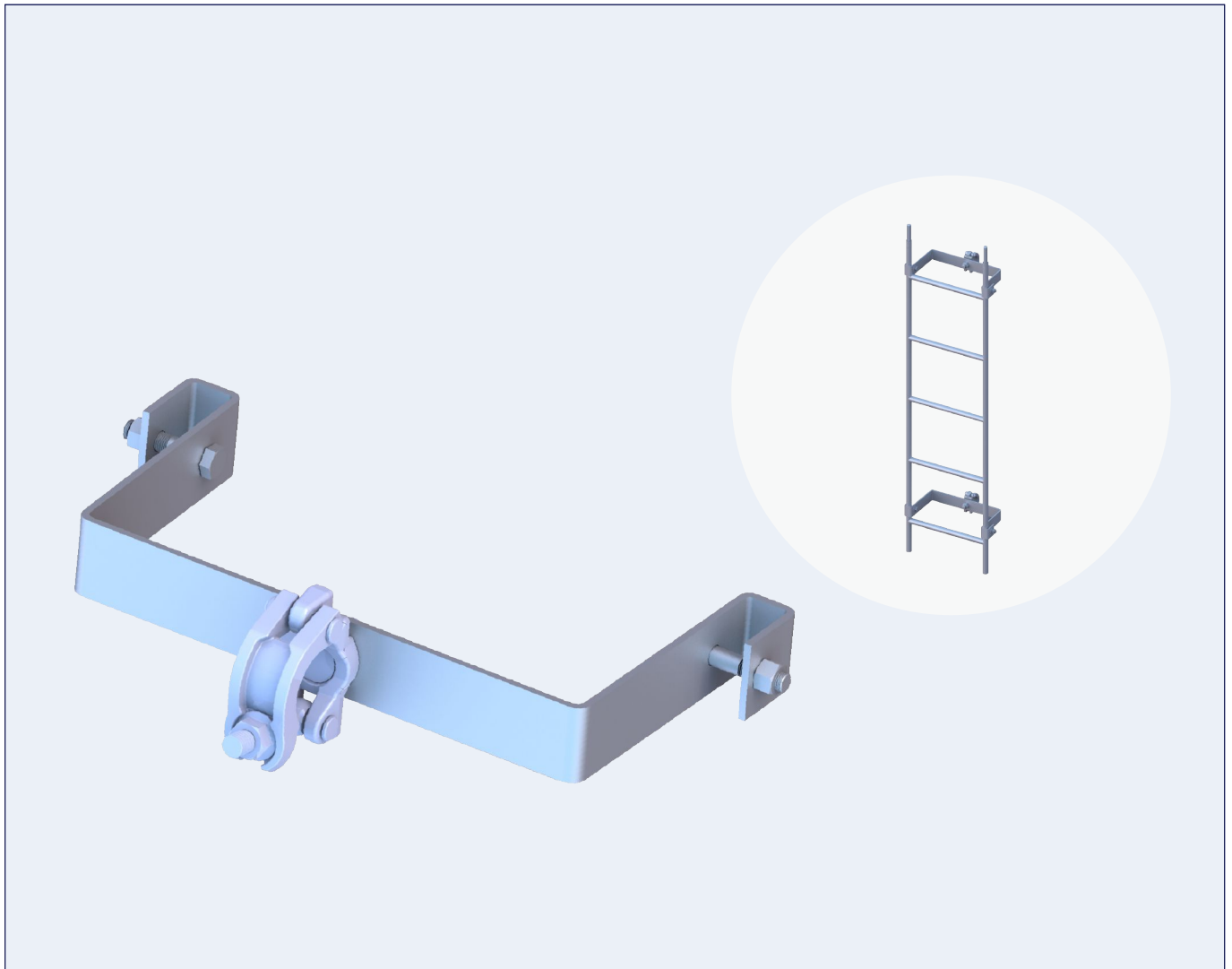


Item No.	Description	Weight (kgs)
		Kgs
CSG	Extentable Safety Gate	8.30

# CUPLOCK SYSTEM

## Steel Ladder & Ladder Bracket

Cuplock Ladder, Tube size: OD42×2.0mm, Width: 350mm Steel Grade:S235, Ladder Bracket: With half coupler steel, Sheet wall thickness 5mm, Steel Grade:S235. Surface treatment: Hot dip galvanized.

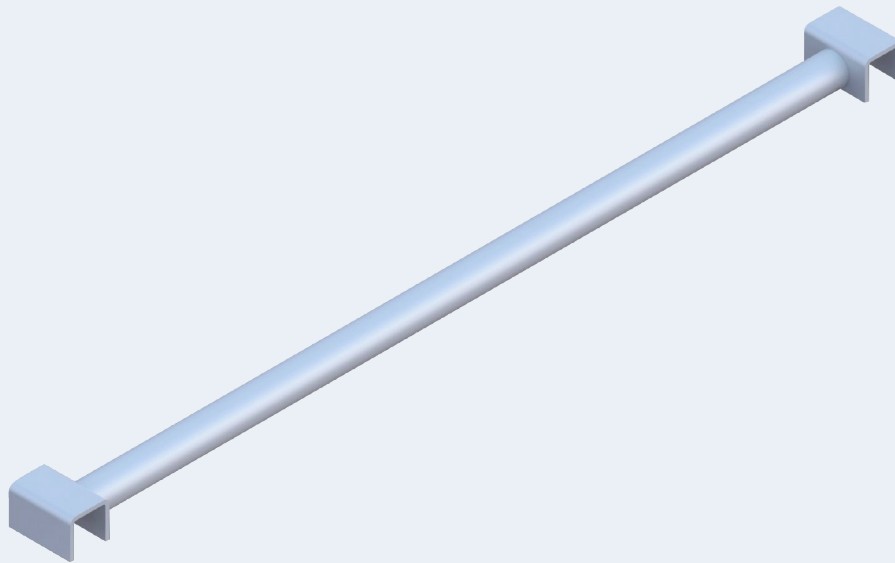


Item No.	Description	Weight (kgs)
		Kgs
CSWL10	Steel Ladder 10'/3.05 meter	21.90
CSWI5	Steel Ladder 5'/1.52 meter	11.50
CSWL3	Steel Ladder 3'/0.914 meter	8.20
CLBW	Steel Ladder Bracket	3.30

# CUPLOCK SYSTEM

## Intermediate Transom

Cuplock Ladder, Tubesize: OD42x2.0mm, Width: 350mm Steel Grade:S235, Ladder Bracket: With half coupler steel, Sheet wall thickness 6mm, Steel Grade:S235. Sur- face treatment: Hot dip galvanized.

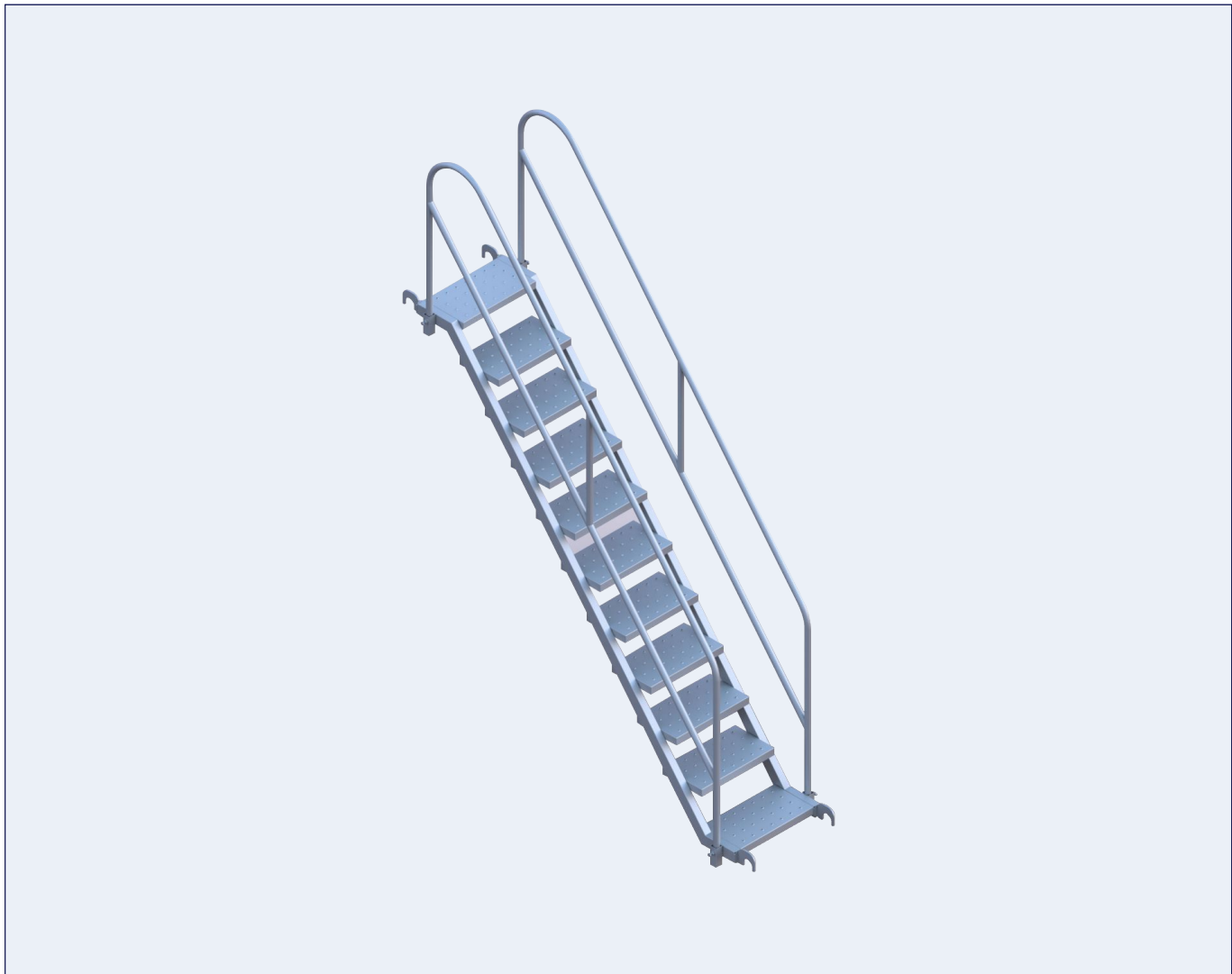


Item No.	Description	Weight (kgs)
		Kgs
COT25	Intermediate Transom 2.5 meter	16.50
COT18	Intermediate Transom 1.8 meter	7.30
COT13	Intermediate Transom 1.3 meter	5.50
COT12	Intermediate Transom 1.2 meter	5.20

# CUPLOCK SYSTEM

## Steel Stair With Hooks

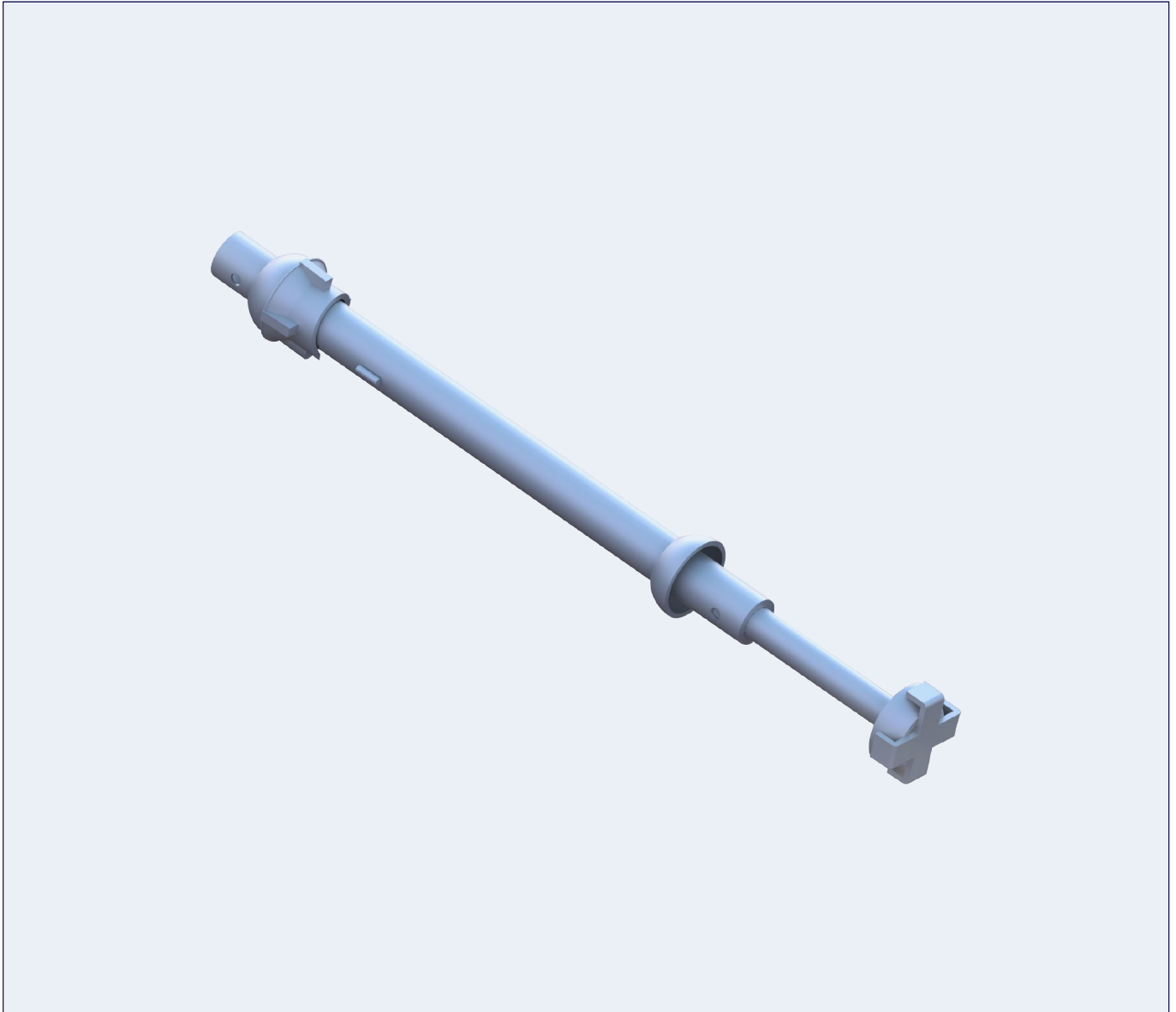
Cuplock Ladder, Tubesize: OD42x2.0mm, Width: 350mm Steel Grade:S235, Ladder Bracket: With half coupler steel, Sheet wall thickness 6mm, Steel Grade:S235. Sur- face treatment: Hot dip galvanized.



Item No.	Description	Weight (kgs)
		Kgs
CSS80	8'x6'6"(2.44x2m) Stair Stringer	100.00
CSS70	7'x6'6"(2.13x2m) Stair Stringer	90.00

# CUPLOCK SYSTEM

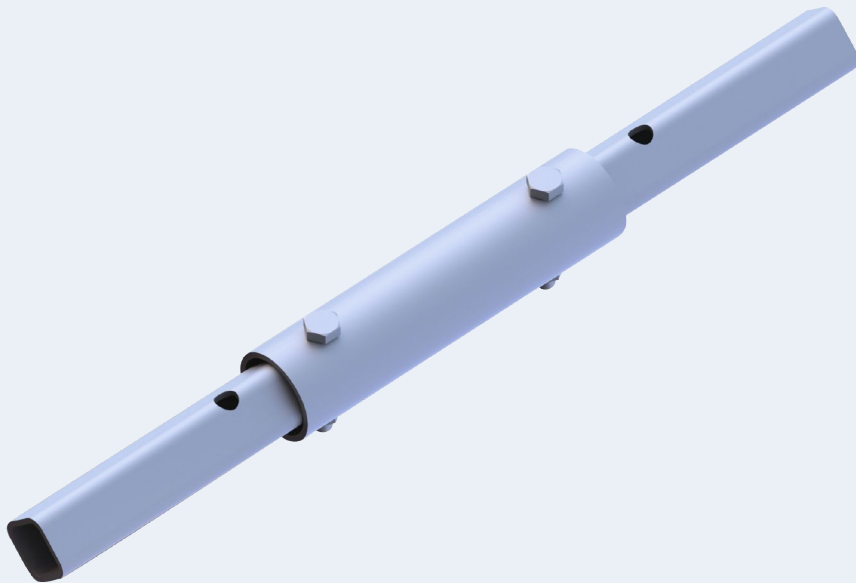
## Deck Adapter



Item No.	Description	Weight (kgs)
		Kgs
CDA 25	25" Deck Adapter	5.40

# CUPLOCK SYSTEM

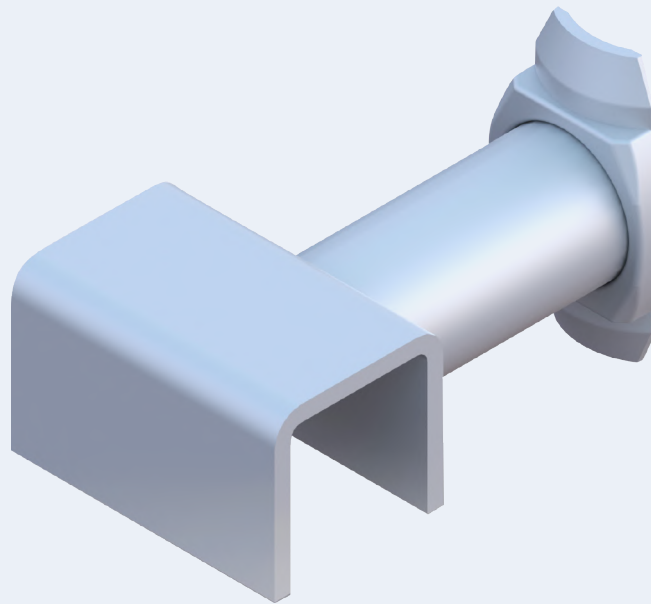
## Cuplockext Adapter



Item No.	Description	Weight (kgs)
		Kgs
CEA 78	7.8" Ext. Adapter/0.2meter	2.40

# CUPLOCK SYSTEM

## Return Device



Item No.	Description	Weight (kgs)
		Kgs
CRD	Return Device	1.40



# CUPLOCK SYSTEM

## Support Spigot Description



Item No.	Description	Weight (kgs)
		Kgs
CSS	Support Spigot	2.60

# CUPLOCK SYSTEM

## [ CHINA ]

5 Xinghan Street, Suzhou, Jiangsu 215021

## [ USA ]

LA, USA: 343 Phosphor Ave, Metairie LA. 70005.

Tel: +1-504-432-1124 Jose Chaumont.

Utah, USA: 6225 S High Blu Dr., West Valley Utah 84118.

Tel: +1-866-300-6688 Jim Fraser.

TX, USA: 4740 Ingersoll St, Suite 102 Houston TX 77027.

Tel: +1-504-432-1124 Jose Chaumont.

## [ CHILE ]

Tel: +56 978 082717 Bernardo Gutiérrez

## [ EMAIL ]

[coronet@coronet-scaffold.com](mailto:coronet@coronet-scaffold.com)

## [ WEB ]

[www.coronet.com](http://www.coronet.com) / [www.coronet-scaffold.com](http://www.coronet-scaffold.com)