

coronet Scaffold
Building Future!



RINGLOCK SYSTEM

U.K, Australia and New Zealand

WE
PROVIDE
SCAFFOLDING
GLOBALLY.

2023

CORONET

TABLE OF CONTENTS

INTRODUCTION 02

OVERVIEW 03-05

Ringlock 06-50

Ringlock Standard	06
Ledger O-Type	07
Transom U-type	08
Reinforced Ledger U-Type	09
Bridging Ledger O-Type	10
Bridging Ledger U-Type	11
MID Transom O-Type	12
Ledger to Plank Transom O-Type	13
Plank to Plank Transom O-Type	14
Bay Brace 2.0m Lift	15
Steel Plank O-Type 320mm	16
Steel Plank O-Type 190mm	17
Steel Plank U-Type 320mm	18
Steel Plank U-Type 190mm	19
Aluminum Plywood Access Decks 2.0m Lift O-type	20
Aluminum Access Decks 2.0m Lift O-type	21
Side/Hop-up Bracket O-Type	22
Side/Hop-up Bracket U-Type	23
Steel Toe Board-Bolted Type	24
Steel Toe Board-Hook Type	25
Wooden Toe Board	26
Starter/ Base Collar	27
Adjustable Base Jack	28
Swivel Base Jack	29
Adjustable Caster Adapert	30
Caster Wheel	31
U Head	32
Ringlock Lattice Beam	33
Guardrail Standard	34
Safety Gate	35
Steel Stair with Handrails 2.0m Lift O-Type	36
Aluminum Platform Stair 2.0m Lift O-Type	37
Platform Stairs Guardrails	38
Monkey Ladder	39
Ladder and Ladder Bracket	40
Ringlock Spigot Adapter Clamp	41
Right Angle Adapter Clamp	42
Wedge Head Swivel Coupler	43
Wedge Head Coupler	44
Rosette Clamp	45
Right Angle Clamp	46
Swivel Clamp	47
Scaffold Rack	48
Scaffold High Rack	49
Scaffold Cage Insert	50



ABOUT

CORONET



Founded in 2004, Coronet has its headquarters in Suzhou, China, subsidiary in L.A, USA. We have evolved from a small scaffold company in 2004 to one of the largest and most successful and qualified scaffolding companies in China. We have worked diligently and successfully together for the past 19 years to make Coronet Scaffold the success it is today, and look forward to Coronet's continued growth and success, going forward into more scaffolding sales and innovations.



OVERVIEW

Coronet Quality

[MATERIAL]

We only use the high quality steel in our products. Our steel facilities in Southern China (Near Shanghai) which is known for the quality of its steel and workmanship.

[WELDING]

Our welding process monitoring and control involves routine or continuous monitoring of process variables, particularly current, time and force.

[FINISHING]

Frame productions are finished and protected by hot-dipped zinc galvanizing or powder coated. This method of finishing maximizes surface durability.

[TRACEABILITY]

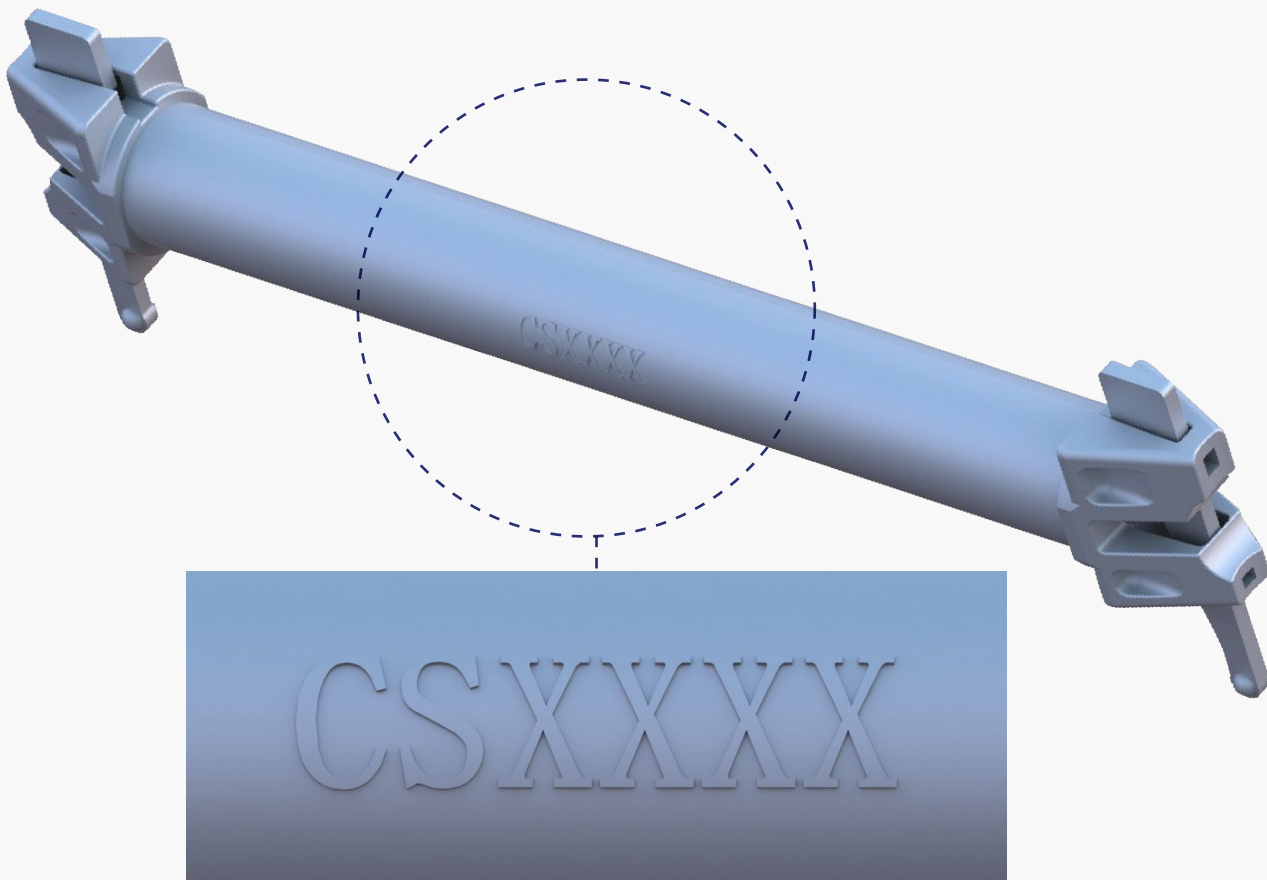
Traceability imprinted code on all frames for quality assurance.

OVERVIEW

Product Traceability

All coronet componets are stamped with traceability marks.

KEY | Batch Number : CS X XXX
CS= Coronet Scaffold X= Year of Manufacture XXX= Order Number

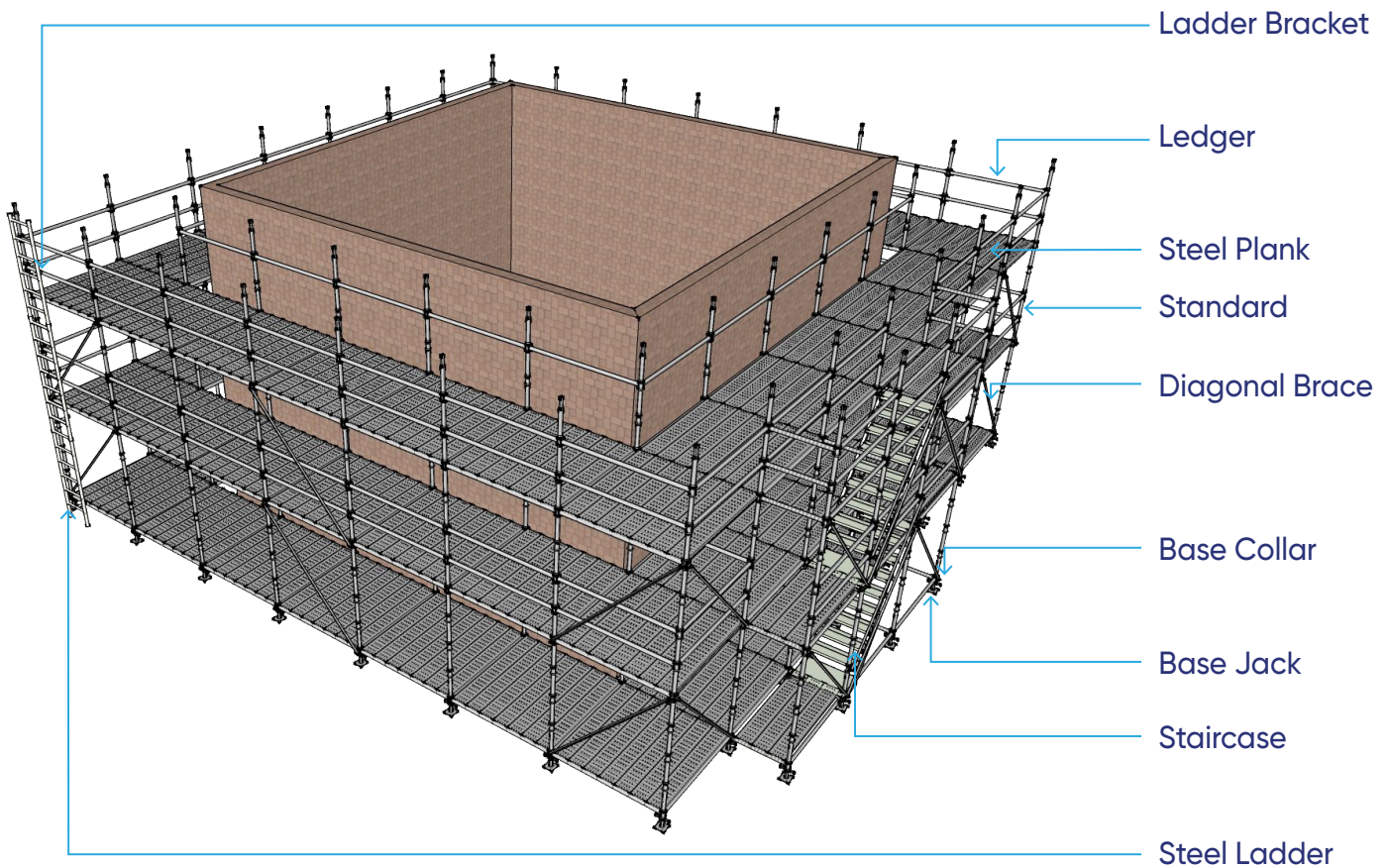


OVERVIEW

Component

Component Identification

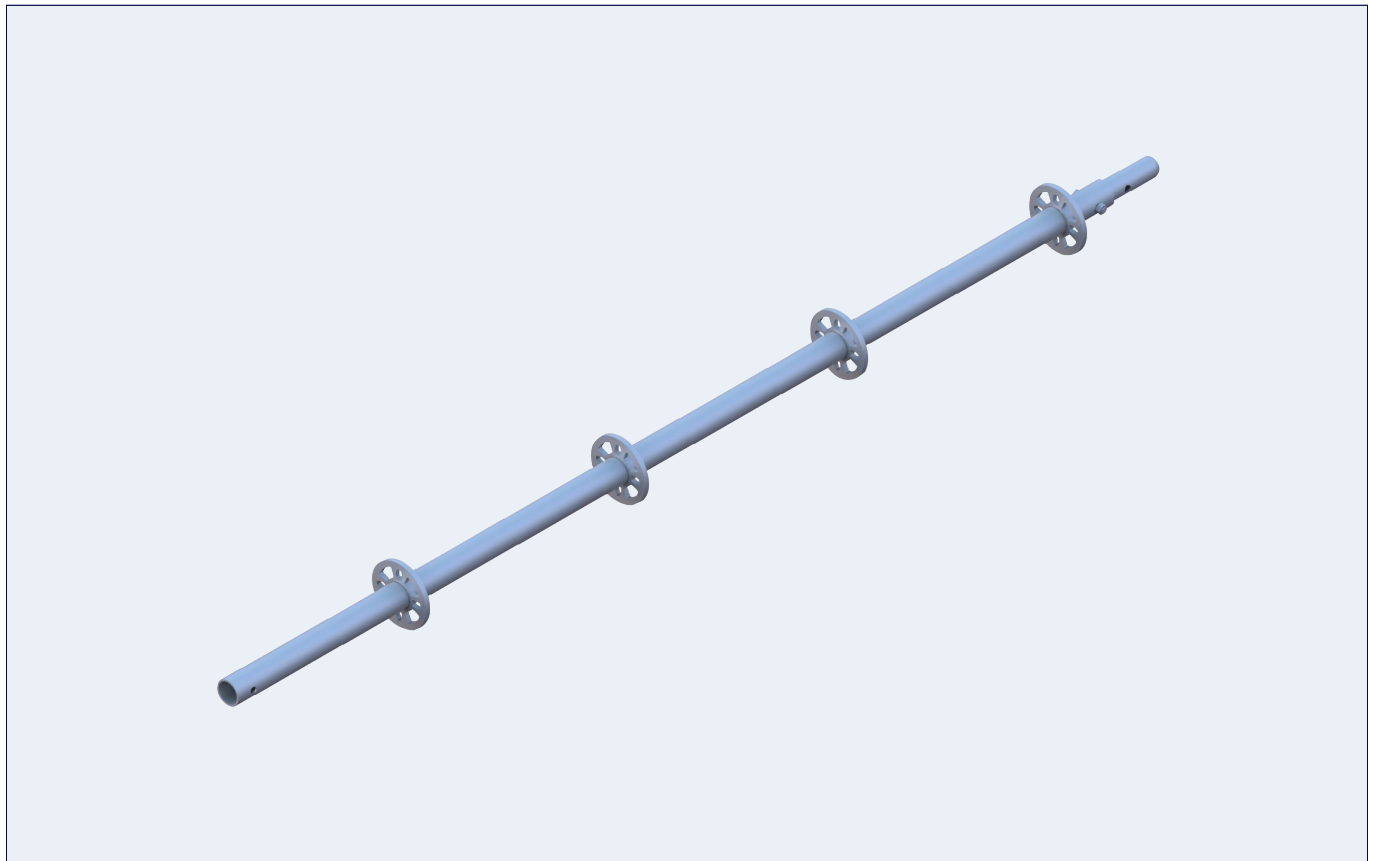
The following diagram represents the most common Ringlock components used. Most scaffold structure are made from these basic components yet the Ringlock system comes with a variety of accessories for all your scaffolding requirements.



RINGLOCK

Ringlock Standard

Ringlock Standard(Vertical) has rosettes at 500mm interval, Tube size: OD48.3x3.2mm, Steel Grade:S235 or S355. Surface treatment: Hot dip galvanized.



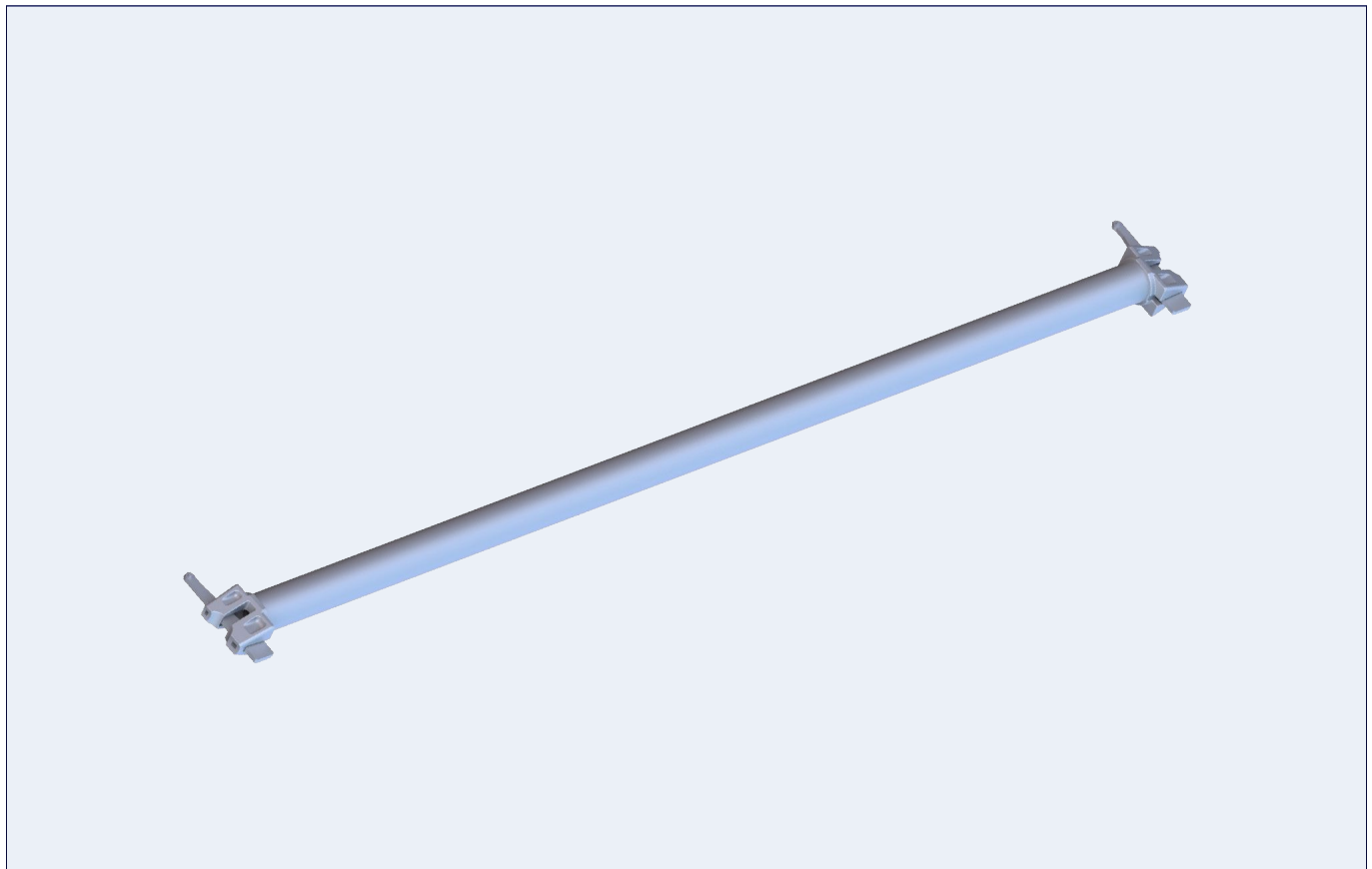
Item No.	Description	Height	Weight (kgs)		Packaging	
		Meters	Kgs	Lbs	Qty.	Type
RV40	8 Ring Standard 4.0M w/ spigot	4.00	19.18	42.25	100	Rack
RV30	6 Ring Standard 3.0M w/ spigot	3.00	14.56	32.07	100	Rack
RV25	5 Ring Standard 2.5M w/ spigot	2.50	12.26	27.00	100	Rack
RV20	4 Ring Standard 2.0M w/ spigot	2.00	9.82	21.63	100	Rack
RV15	3 Ring Standard 1.5M w/ spigot	1.50	7.51	16.54	100	Rack
RV10	2 Ring Standard 1.0M w/ spigot	1.00	5.21	12.10	100	Rack
RV05	1 Ring Standard 0.5M w/ spigot	0.50	2.90	6.39	200	Rack

RINGLOCK

Ringlock Ledger

[Ledger O-Type]

Ringlock Ledger, Tube size: OD48.3x3.2mm, Steel Grade:S235 or S355. Surface treatment: Hot dip galvanized.



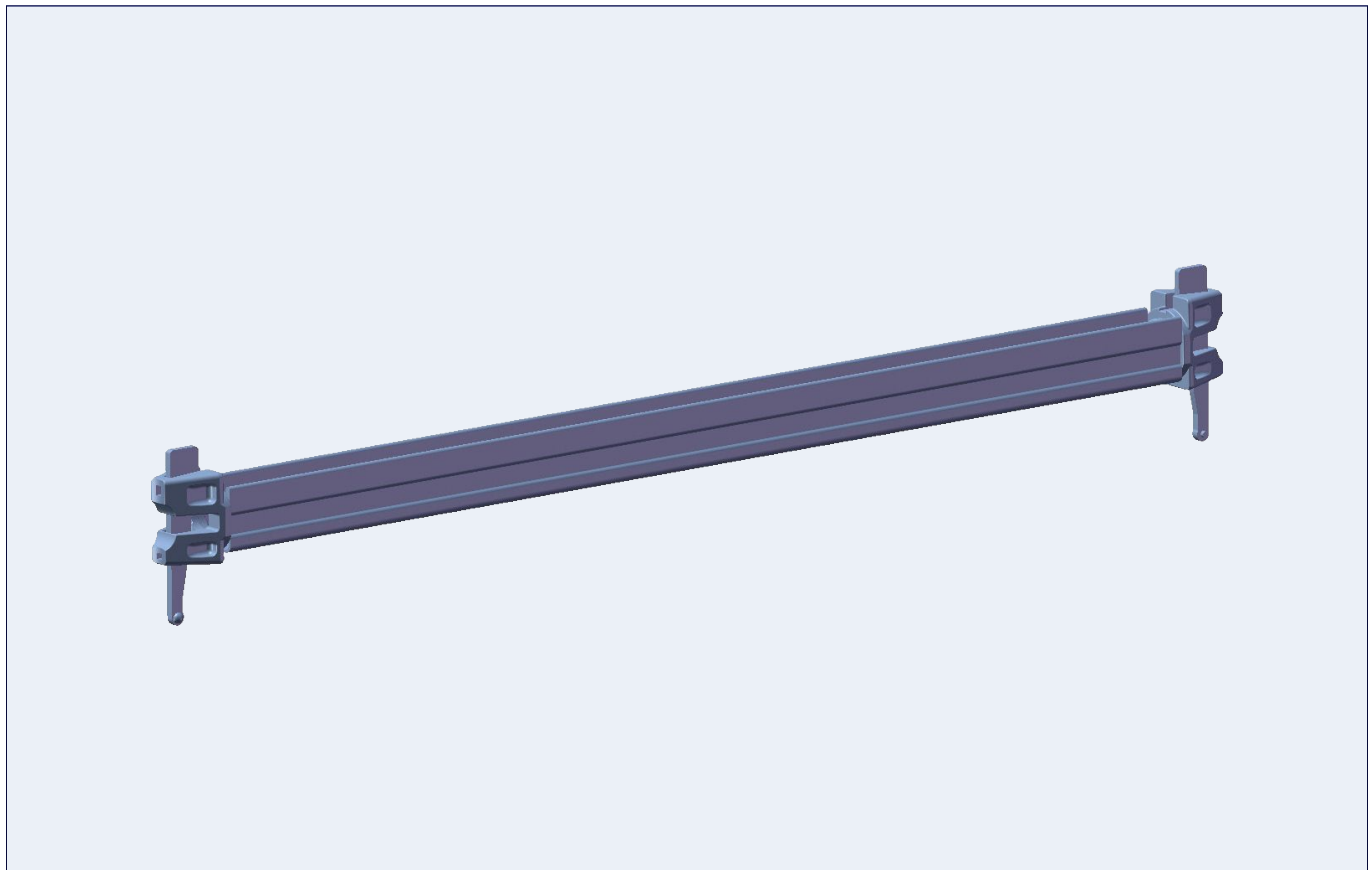
Item No.	Description	Height	Weight (kgs)		Packaging	
		Meters	Kgs	Lbs	Qty.	Type
RH042	0.42M O-Ledger	0.42	2.08	4.58	300	Rack
RH073	0.73M O-Ledger	0.73	3.18	7.00	300	Rack
RH109	1.09M O-Ledger	1.09	4.28	9.43	150	Rack
RH140	1.40M O-Ledger	1.40	5.56	12.25	150	Rack
RH157	1.57M O-Ledger	1.57	6.16	13.57	150	Rack
RH207	2.07M O-Ledger	2.07	7.93	17.47	150	Rack
RH257	2.57M O-Ledger	2.57	9.71	21.39	150	Rack
RH307	3.07M O-Ledger	3.07	11.49	25.31	150	Rack
RH414	4.14M O-Ledger	4.14	15.29	33.68	150	Rack

RINGLOCK

Ringlock Transom

[Transom U-Type]

Ringlock U Transom, Size:53x48x2.5mm,Steel Grade: S235 or S355. Surface treatment: Hot dip galvanized.

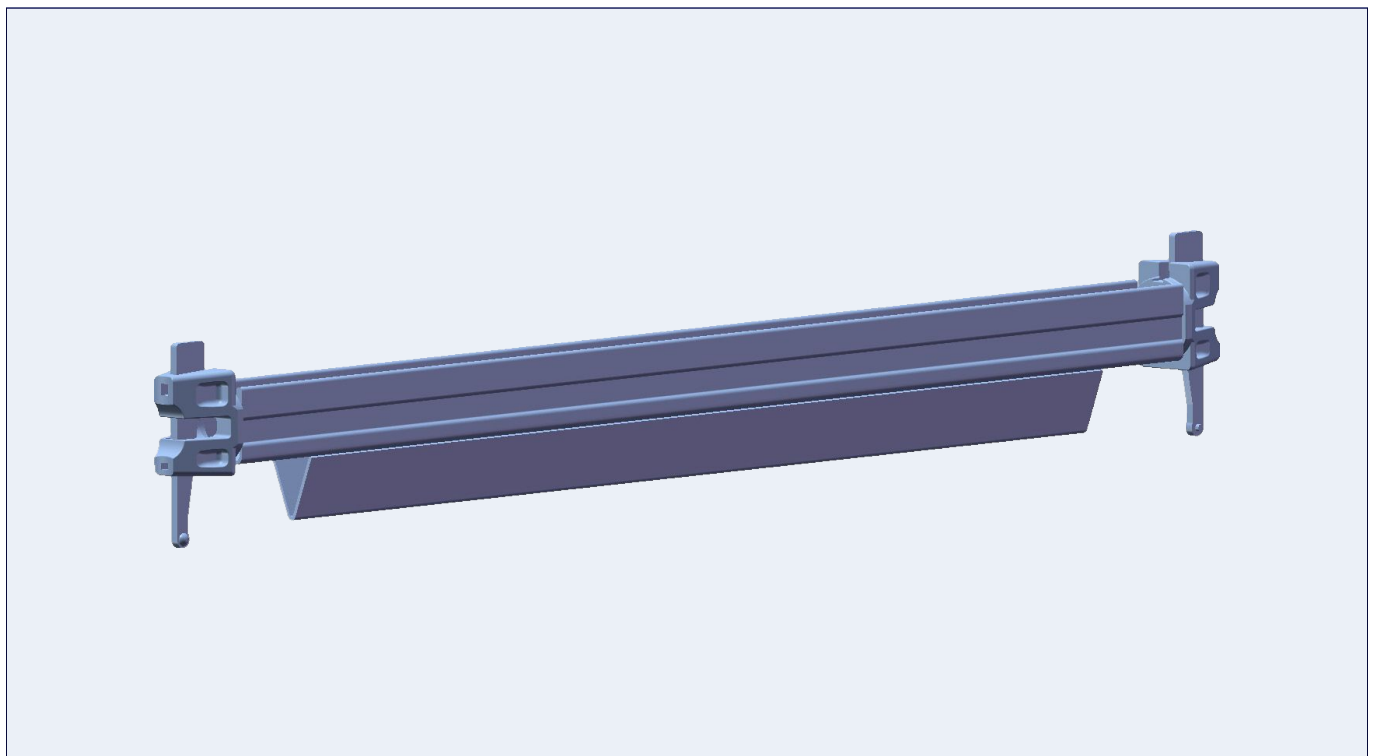


Item No.	Description	Height	Weight (kgs)		Packaging	
		Meters	Kgs	Lbs	Qty.	Type
RHU042	0.42M U-Ledger	0.42	2.10	4.63	300	Rack
RHU045	0.45M U-Ledger	0.45	2.18	4.80	300	Rack
RHU073	0.73M U-Ledger	0.73	3.20	7.05	300	Rack
RHU109	1.09M U-Ledger	1.09	4.50	9.91	150	Rack
RHU140	1.40M U-Ledger	1.40	5.60	12.33	150	Rack
RHU157	1.57M U-Ledger	1.57	6.10	13.44	150	Rack
RHU207	2.07M U-Ledger	2.07	7.90	17.40	150	Rack

Ringlock Reinforced Ledger

[Reinforced Ledger U-Type]

The Reinforced Ledger is engineered to enable higher service loads to the working platform. Steel Grade: S235 or S355. Surface treatment: Hot dip galvanized.



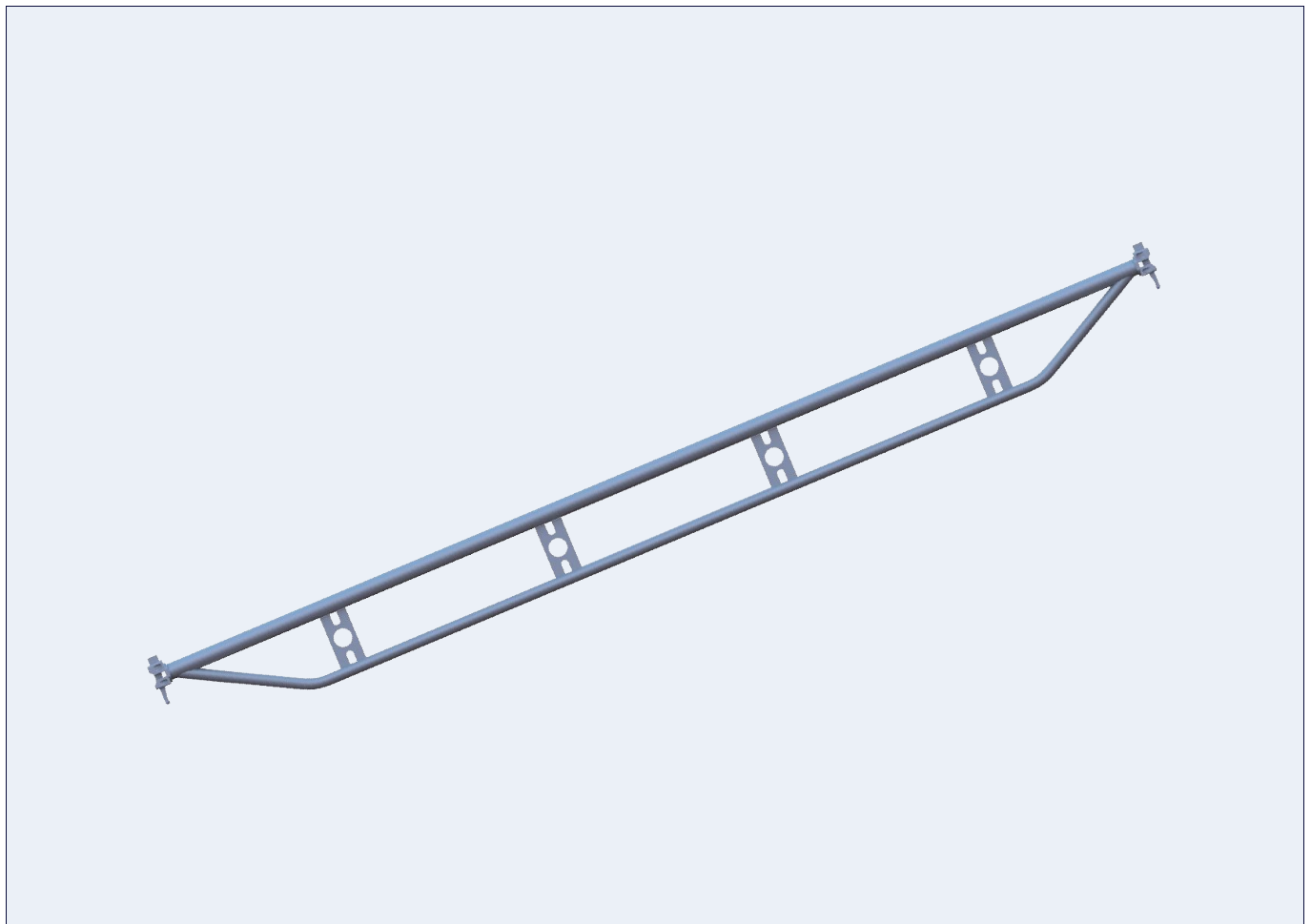
Item No.	Description	Height	Weight (kgs)		Packaging	
		Meters	Kgs	Lbs	Qty.	Type
RRH109	1.09M U-Reinforced Ledger	1.09	6.80	14.98	150	Rack
RRH140	1.40M U-Reinforced Ledger	1.40	7.70	16.96	150	Rack
RRH157	1.57M U-Reinforced Ledger	1.57	8.60	18.94	150	Rack
RRH207	2.07M U-Reinforced Ledger	2.07	11.30	24.89	150	Rack
RRH257	2.57M U-Reinforced Ledger	2.57	14.00	30.84	150	Rack
RRH307	3.07M U-Reinforced Ledger	3.07	16.60	36.56	150	Rack

RINGLOCK

Ringlock Bridging Ledger

[Bridging Ledger O-Type]

The Bridging Ledger is engineered to enable higher service loads to the working platform. Tube size: OD48.3x3.2mm, Steel Grade:S235 or S355. Surface treatment: Hot dip galvanized.



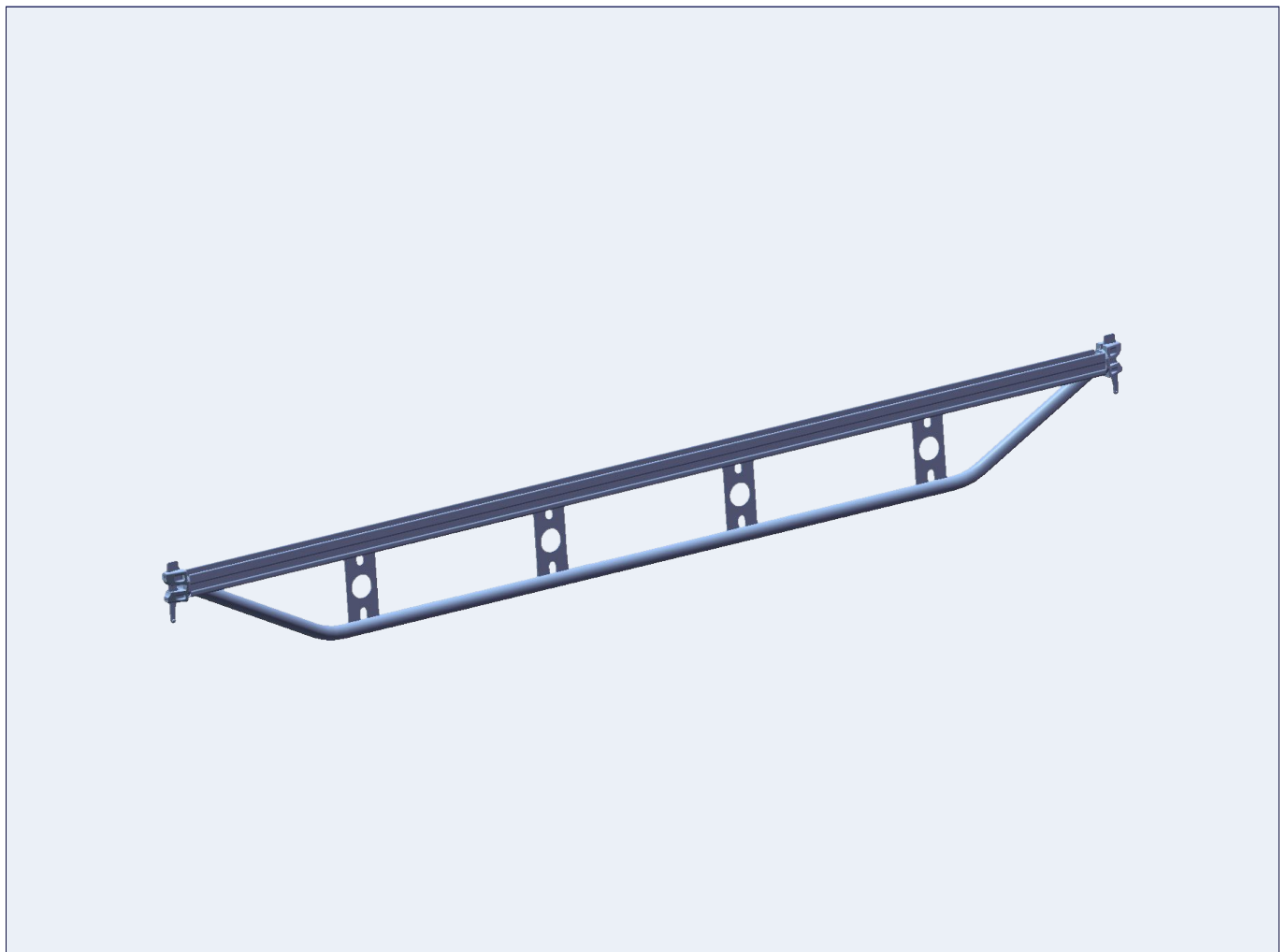
Item No.	Description	Height	Weight (kgs)		Packaging	
		Meters	Kgs	Lbs	Qty.	Type
RBL157	1.57M O-Bridging Ledger	1.57	9.47	20.86	60	Rack
RBL207	2.07M O-Bridging Ledger	2.07	12.29	27.07	60	Rack
RBL257	2.57M O-Bridging Ledger	2.57	15.45	34.03	60	Rack
RBL307	3.07M O-Bridging Ledger	3.07	18.44	40.62	60	Rack

RINGLOCK

Ringlock Bridging Ledger

[Bridging Ledger U-Type]

The Bridging Ledger is engineering to enable higher service loads to the working platform. Steel Grade:S235 or S355. Surface treatment: Hot dip galvanized.



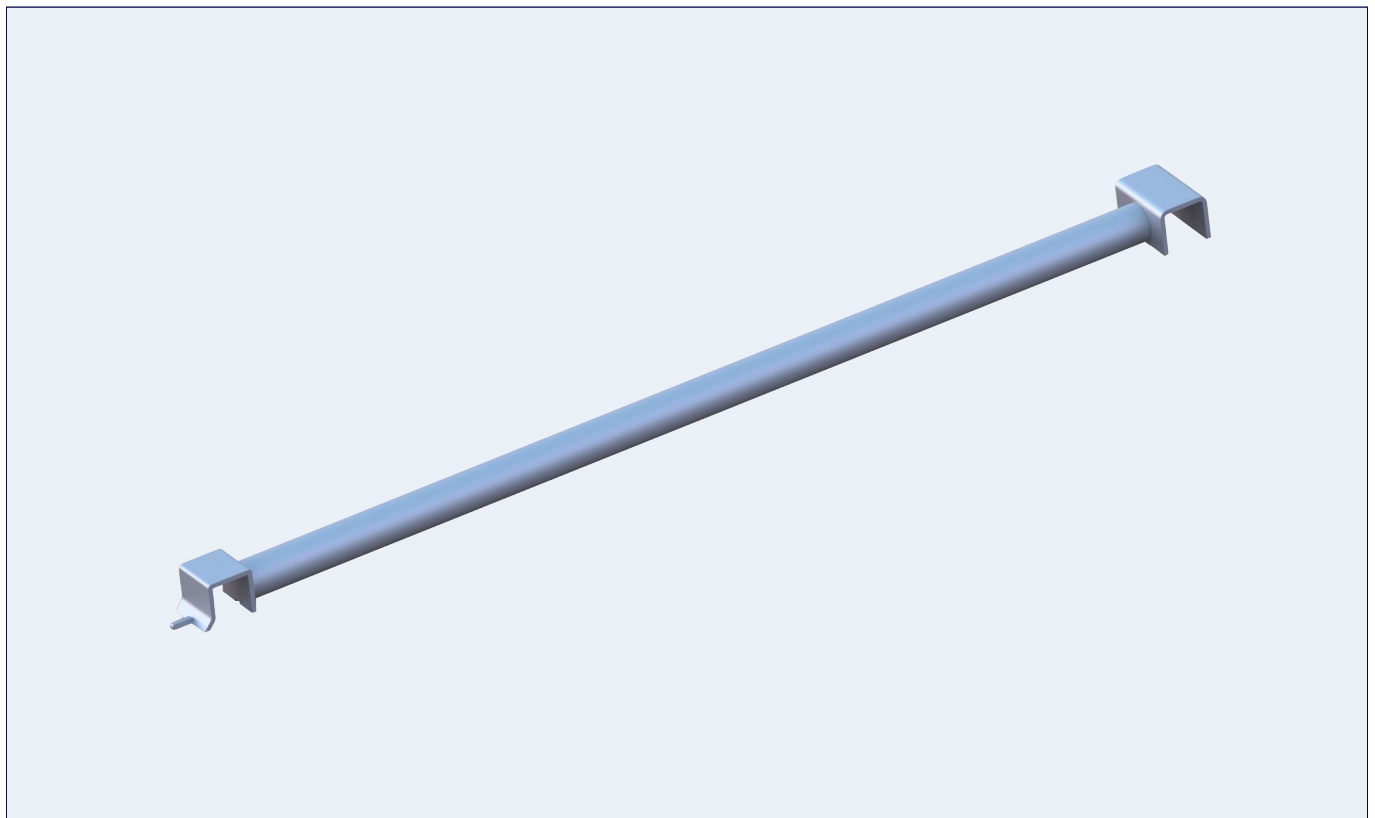
Item No.	Description	Height	Weight (kgs)		Packaging	
		Meters	Kgs	Lbs	Qty.	Type
RBLU157	1.57M U-Bridging Ledger	1.57	9.91	21.83	60	Rack
RBLU207	2.07M U-Bridging Ledger	2.07	13.10	28.85	60	Rack
RBLU257	2.57M U-Bridging Ledger	2.57	15.89	35.00	60	Rack
RBLU307	3.07M U-Bridging Ledger	3.07	19.07	42.00	60	Rack

RINGLOCK

Ringlock MID Transom

[MID Transom O-Type]

The Mid Transom is designed to create a transom at the plank level anywhere inside of a bay by straddling the outer Ledgers / Transoms of a bay. Tube size: OD48.3x3.2mm, Steel Grade: S235 or S355. Surface treatment: Hot dip galvanized.



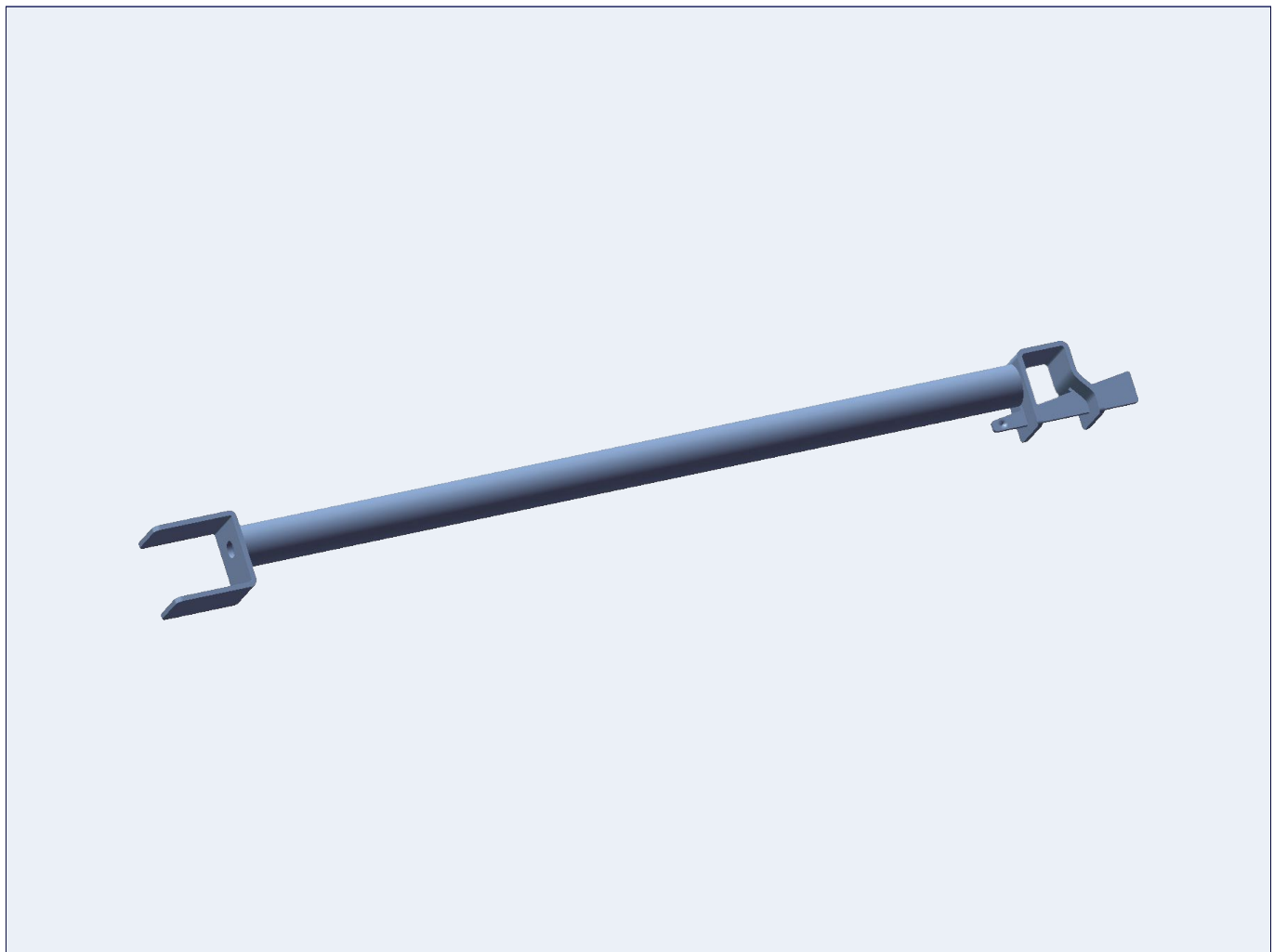
Item No.	Description	Height	Weight (kgs)		Packaging	
		Meters	Kgs	Lbs	Qty.	Type
RMT073	0.73M Mid Transom	0.73	3.91	8.61	320	Rack
RMT109	1.09M Mid Transom	1.09	5.14	11.32	160	Rack
RMT140	1.40M Mid Transom	1.40	6.22	13.70	160	Rack
RMT157	1.57M Mid Transom	1.57	6.82	15.02	160	Rack
RMT207	2.07M Mid Transom	2.07	8.49	18.70	160	Rack
RMT257	2.57M Mid Transom	2.50	10.15	22.36	160	Rack
RMT307	3.07M Mid Transom	3.07	12.12	26.70	160	Rack

RINGLOCK

Ringlock Ledger to Plank Transom

[Ledger to Plank Transom O-Type]

The Ledger to Plank Transom is used where ladder access opening is required on one side of the access platfor, or infill a gap in the platform. Tube size: OD48.3x3.2mm, Steel Grade: S235 or S355. Surface treatment: Hot dip galvanized.



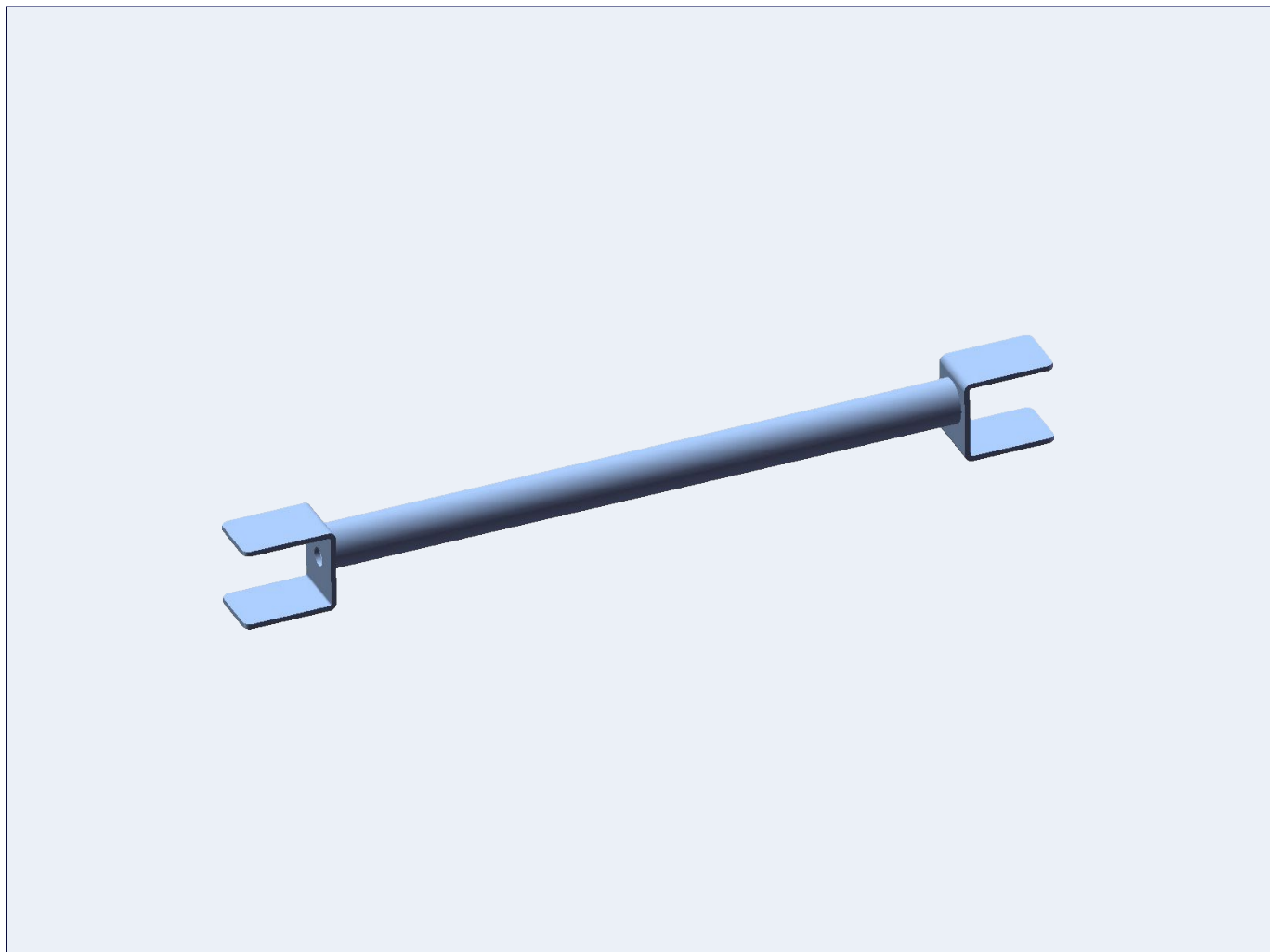
Item No.	Description	Height	Weight (kgs)		Packaging	
		Meters	Kgs	Lbs	Qty.	Type
RLPT24	1 board Ledger to Plank Transom	0.32	3.40	7.49	200	Rack+Insert
RLPT48	2 board Ledger to Plank Transom	0.64	4.35	9.58	200	Rack+Insert
RLPT72	3 board Ledger to Plank Transom	0.96	5.63	12.40	200	Rack+Insert

RINGLOCK

Ringlock Plank to Plank Transom

[Plank to Plank Transom O-Type]

The Plank to Plank Transom is used where ladder access opening is required on one side of the access platform, or infill a gap in the platform. Tube size: OD48.3x3.2mm, Steel Grade: S235 or S355. Surface treatment: Hot dip galvanized.

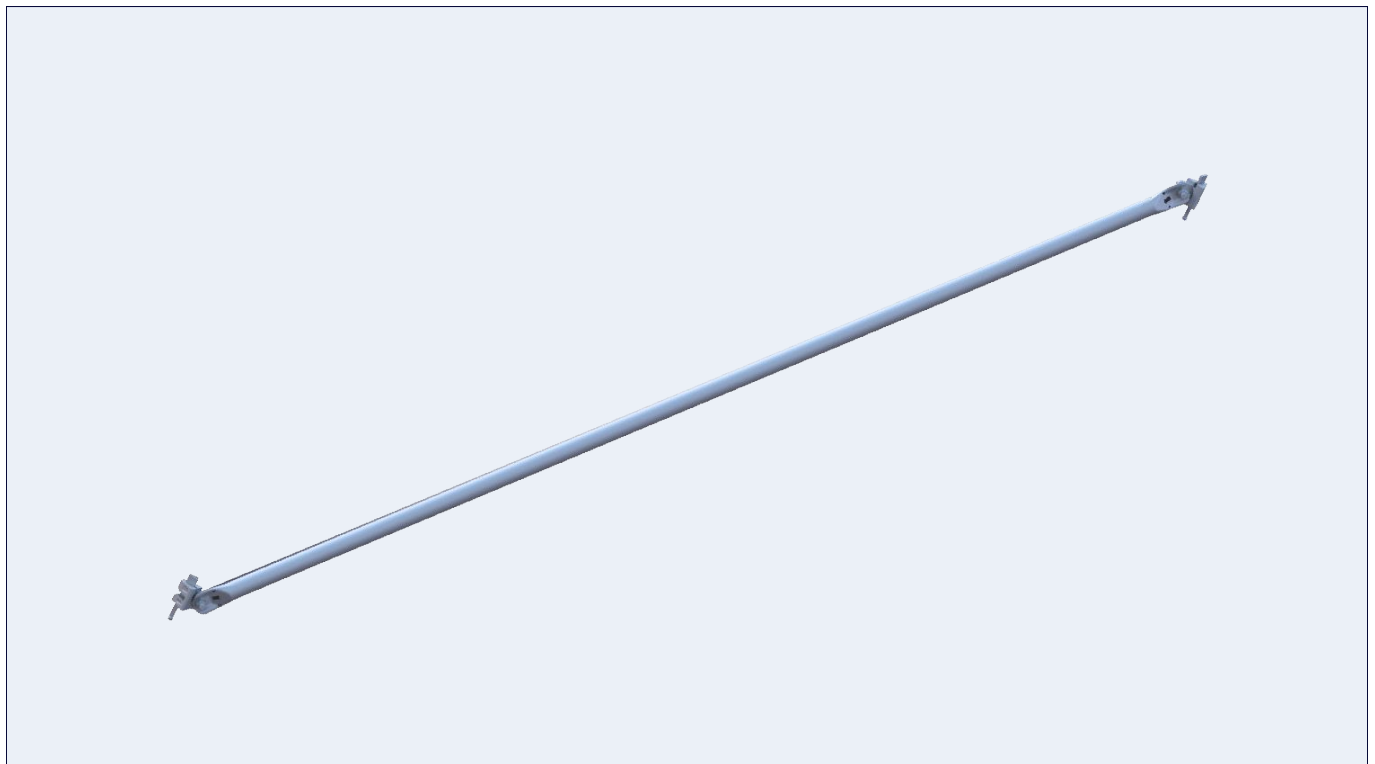


Item No.	Description	Height	Weight (kgs)		Packaging	
		Meters	Kgs	Lbs	Qty.	Type
RPPT32	1 board Plank to Plank Transom	0.32	4.50	9.91	170	Rack+Insert
RPPT07	2 board Plank to Plank Transom	0.70	5.60	12.33	170	Rack+Insert
RPPT109	3 board Plank to Plank Transom	1.09	6.80	14.98	170	Rack+Insert

Ringlock Diagonal Braces

[Bay Brace 2.0m Lift]

The Diagonal Brace is used for the lateral bracing of Ringlock scaffolds. Tube size: OD48.3x2.5mm, Steel Grade: S235 or S355. Surface treatment: Hot dip galvanized.



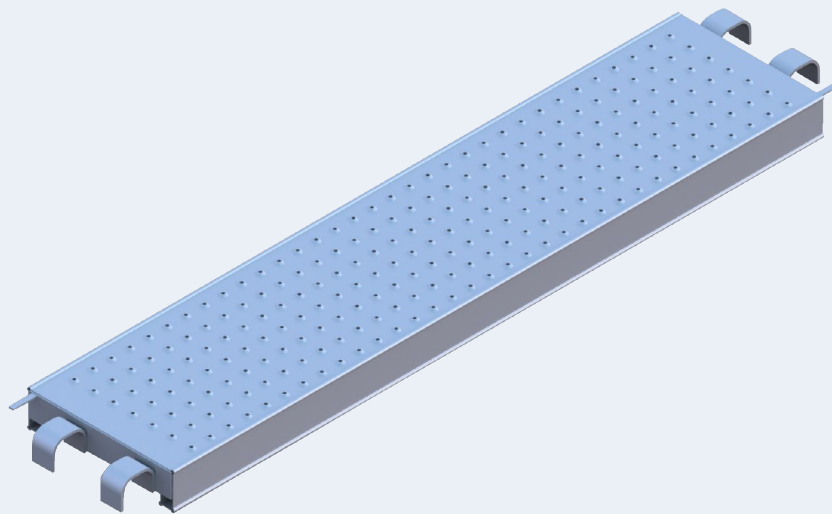
Item No.	Description	Height	Weight (kgs)		Packaging	
		Meters	Kgs	Lbs	Qty.	Type
RDB073	0.73M x 2M Diagonal Brace	0.73	7.87	17.33	150	Rack
RDB109	1.09M x 2M Diagonal Brace	1.09	8.18	18.02	150	Rack
RDB129	1.29M x 2M Diagonal Brace	1.29	8.50	18.72	150	Rack
RDB140	1.40M x 2M Diagonal Brace	1.40	8.66	19.07	150	Rack
RDB157	1.57M x 2M Diagonal Brace	1.57	8.94	19.69	150	Rack
RDB207	2.07M x 2M Diagonal Brace	2.07	9.86	21.72	150	Rack
RDB257	2.57M x 2M Diagonal Brace	2.57	10.91	24.03	150	Rack
RDB307	3.07M x 2M Diagonal Brace	3.07	12.07	26.59	150	Rack
RDB414	4.14M x 2M Diagonal Brace	4.14	14.73	32.44	150	Rack

RINGLOCK

Work Platforms

[Steel Plank O-Type 320mm]

Ringlock Steel Plank, Width:320mm, Height:76mm, Thickness:1.5mm. Steel Grade: S235, Surface treatment: Hot dip galvanized or Pre-galvanized.



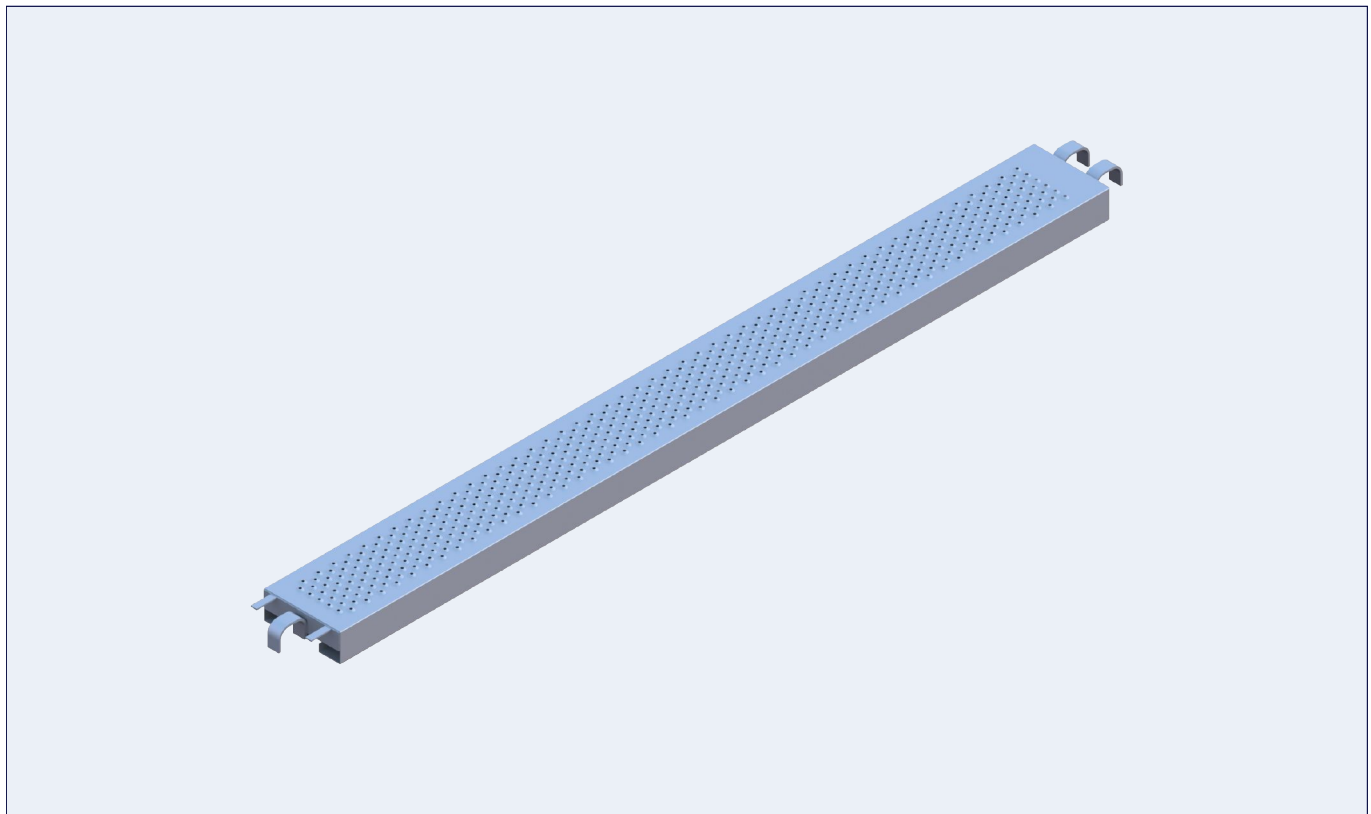
Item No.	Description	Height	Weight (kgs)		Packaging	
		Meters	Kgs	Lbs	Qty.	Type
RDEP073	0.73M O-Steel Plank	0.73	6.82	15.02	194	Rack
RDEP109	1.09M O-Steel Plank	1.09	9.43	20.77	194	Rack
RDEP140	1.40M O-Steel Plank	1.40	11.46	25.24	194	Rack
RDEP157	1.57M O-Steel Plank	1.57	12.58	27.71	97	Rack
RDEP207	2.07M O-Steel Plank	2.07	16.11	35.48	97	Rack
RDEP257	2.57M O-Steel Plank	2.57	19.63	43.24	97	Rack
RDEP307	3.07M O-Steel Plank	3.07	22.92	50.48	97	Rack

RINGLOCK

Work Platforms

[Steel Plank O-Type 190mm]

Ringlock Steel Plank, Width:190mm, Height:76mm, Thickness:1.5mm. Steel Grade: S235, Surface treatment: Hot dip galvanized or Pre-galvanized.



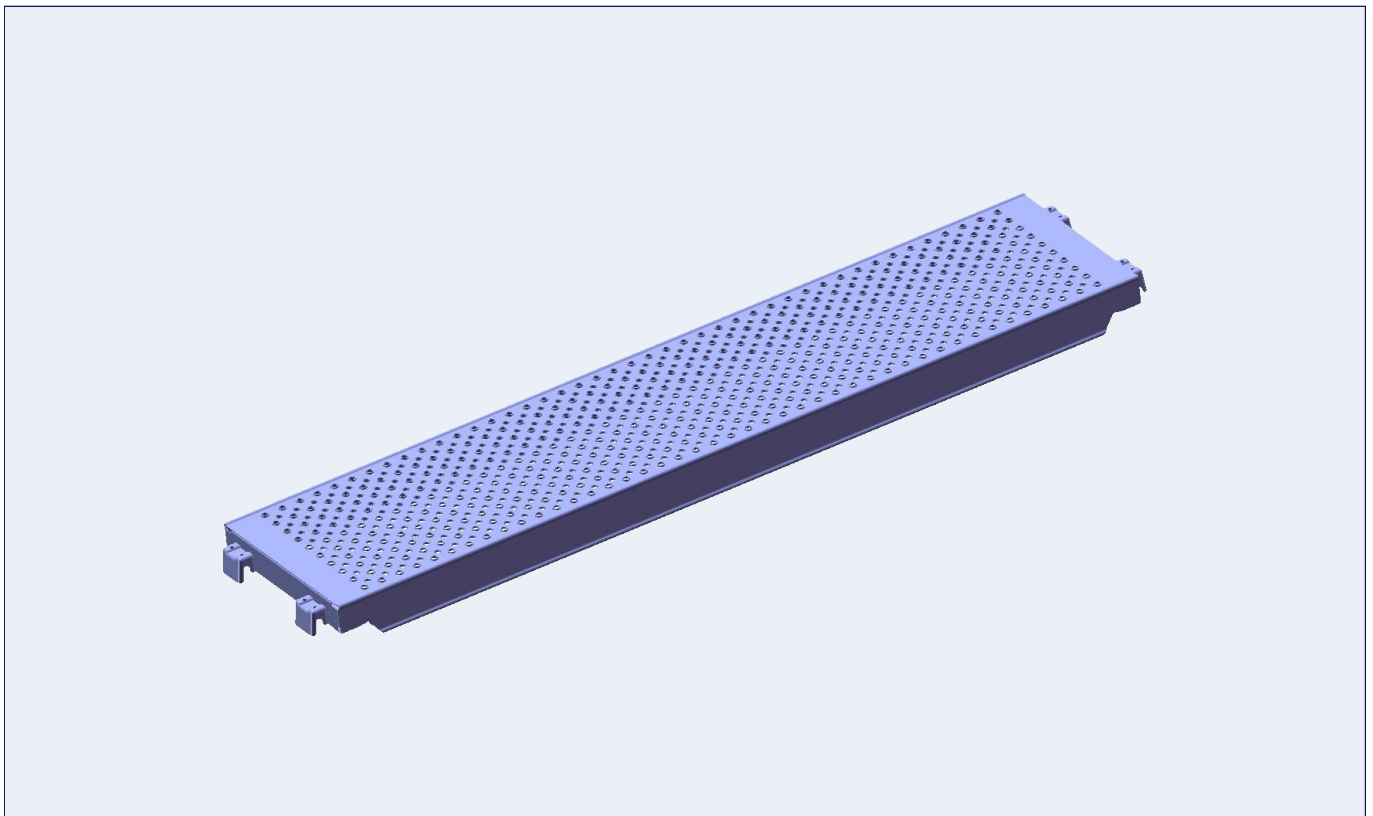
Item No.	Description	Height	Weight (kgs)		Packaging	
		Meters	Kgs	Lbs	Qty.	Type
RDEPS073	0.73M O-Steel Plank	0.73	4.83	10.64	300	Rack
RDEPS109	1.09M O-Steel Plank	1.09	7.53	16.59	300	Rack
RDEPS140	1.40M O-Steel Plank	1.40	8.96	19.74	300	Rack
RDEPS157	1.57M O-Steel Plank	1.57	9.80	21.59	150	Rack
RDEPS207	2.07M O-Steel Plank	2.07	12.50	27.53	150	Rack
RDEPS257	2.57M O-Steel Plank	2.57	14.80	32.60	150	Rack
RDEPS307	3.07M O-Steel Plank	3.07	17.10	37.67	150	Rack

RINGLOCK

Work Platforms

[Steel Plank U-Type 320mm]

Ringlock Steel Plank, Width:320mm, Height:76mm, Thickness:1.5mm. Steel Grade: S235, Surface treatment: Hot dip galvanized or Pre-galvanized.



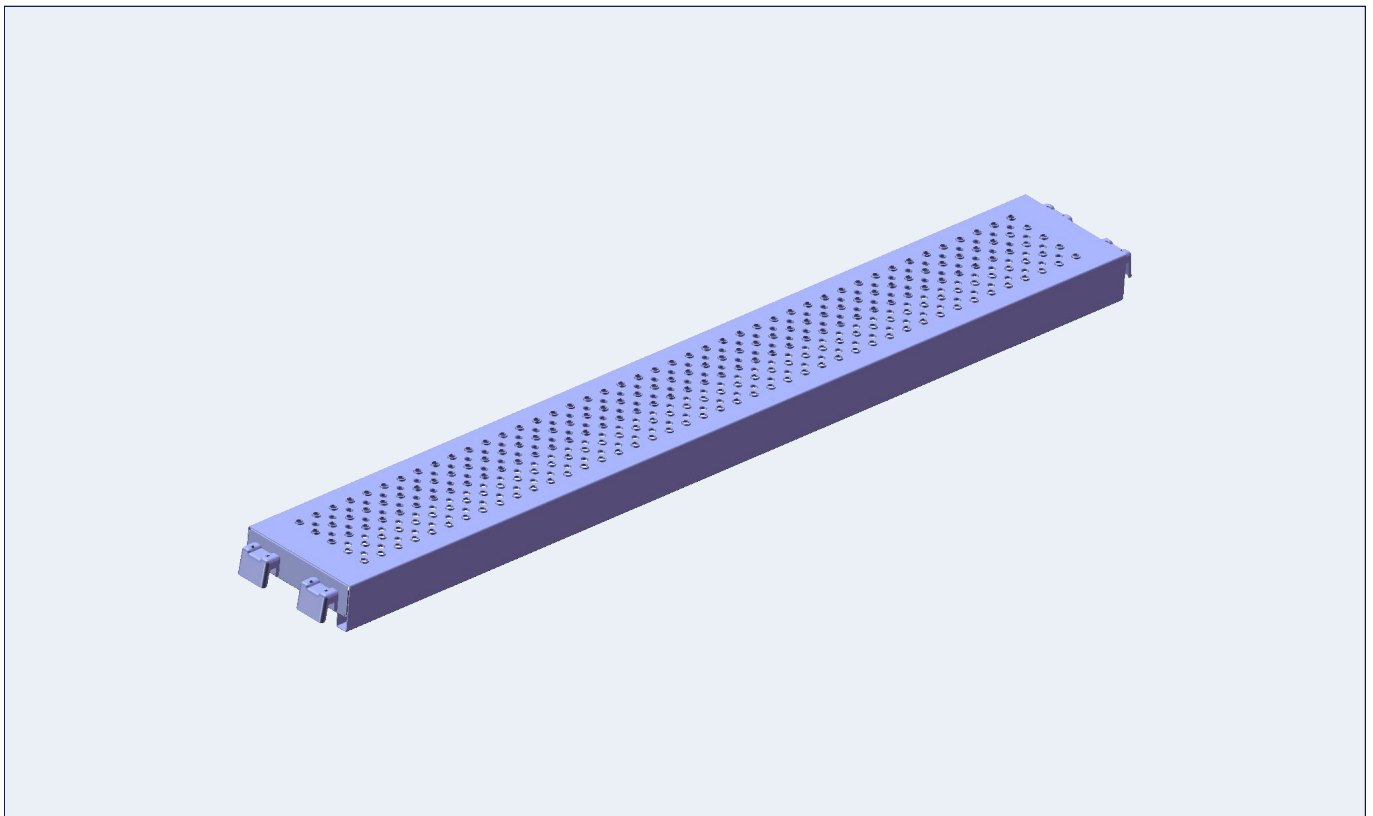
Item No.	Description	Height	Weight (kgs)		Packaging	
		Meters	Kgs	Lbs	Qty.	Type
RWP073	0.73M U-Steel Plank	0.73	5.76	12.69	194	Rack
RWP109	1.09M U-Steel Plank	1.09	8.37	18.44	194	Rack
RWP140	1.40M U-Steel Plank	1.40	10.41	22.93	194	Rack
RWP157	1.57M U-Steel Plank	1.57	11.52	25.37	97	Rack
RWP207	2.07M U-Steel Plank	2.07	15.05	33.15	97	Rack
RWP257	2.57M U-Steel Plank	2.57	18.57	40.90	97	Rack
RWP307	3.07M U-Steel Plank	3.07	21.86	48.15	97	Rack

RINGLOCK

Work Platforms

[Steel Plank U-Type 190mm]

Ringlock Steel Plank, Width:190mm, Height:76mm, Thickness:1.5mm. Steel Grade: S235, Surface treatment: Hot dip galvanized or Pre-galvanized.



Item No.	Description	Height	Weight (kgs)		Packaging	
		Meters	Kgs	Lbs	Qty.	Type
RWPS073	0.73M U-Steel Plank	0.73	4.47	9.85	300	Rack
RWPS109	1.09M U-Steel Plank	1.09	6.38	14.05	300	Rack
RWPS140	1.40M U-Steel Plank	1.40	8.02	17.67	300	Rack
RWPS157	1.57M U-Steel Plank	1.57	8.92	19.65	150	Rack
RWPS207	2.07M U-Steel Plank	2.07	11.57	25.48	150	Rack
RWPS257	2.57M U-Steel Plank	2.57	14.22	31.32	150	Rack
RWPS307	3.07M U-Steel Plank	3.07	16.87	37.16	150	Rack

Aluminum Plywood Access Deck

[Aluminum Plywood Access Decks 2.0m Lift O-Type]

Aluminum Plywood Access Decks is a complete stair unit with built-in landings.



Item No.	Description	Height	Weight (kgs)		Packaging	
		Meters	Kgs	Lbs	Qty.	Type
RPAD109	Aluminum Plywood Access Deck	1.09x0.64	15.70	34.58	50	Rack
RPAD157	Aluminum Plywood Access Deck	1.57x0.64	17.40	38.33	50	Rack
RPAD207	Aluminum Plywood Access Deck	2.07x0.64	21.20	46.70	50	Rack
RPAD257	Aluminum Plywood Access Deck	2.57x0.64	26.20	57.71	50	Rack
RPAD307	Aluminum Plywood Access Deck	3.07x0.64	30.20	66.52	50	Rack

Aluminum Access Deck

[Aluminum Access Decks 2.0m Lift O-Type]

Aluminum Access Decks is a complete stair unit with built-in landings.



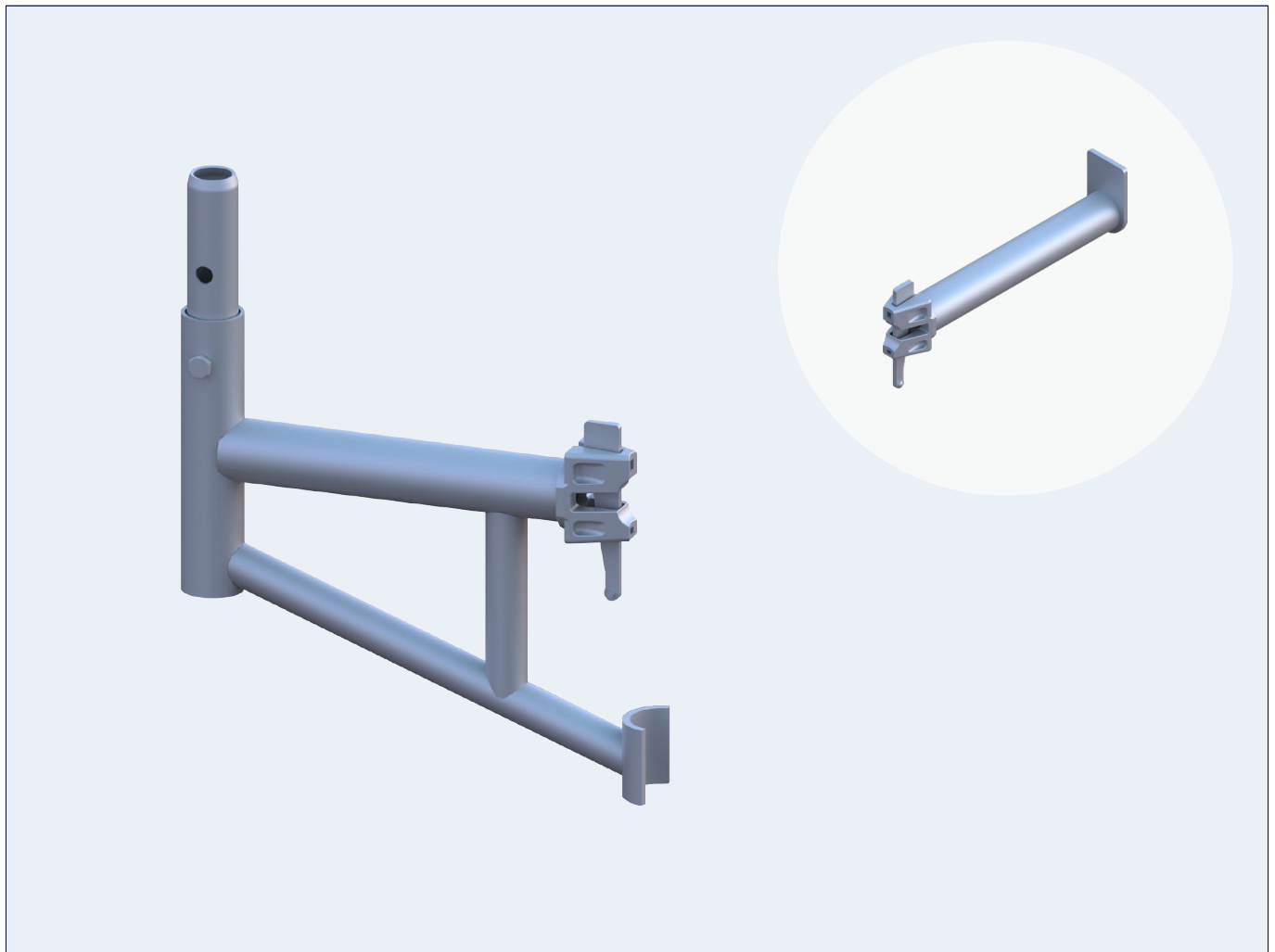
Item No.	Description	Height	Weight (kgs)		Packaging	
		Meters	Kgs	Lbs	Qty.	Type
RAD109	Aluminum Access Deck	1.09x0.64	20.30	44.71	50	Rack
RAD157	Aluminum Access Deck	1.57x0.64	22.80	50.22	50	Rack
RAD207	Aluminum Access Deck	2.07x0.64	24.50	53.96	50	Rack
RAD257	Aluminum Access Deck	2.57x0.64	28.10	61.89	50	Rack
RAD307	Aluminum Access Deck	3.07x0.64	32.20	70.93	50	Rack

RINGLOCK

Ringlock Side Bracket

[Side/Hop-up Bracket O-Type]

The side/hop-up bracket is used to extend the working platform closer to the building structure. Steel Grade: S235 or S355. Surface treatment: Hot dip galvanized.



Item No.	Description	Height	Weight (kgs)		Packaging	
		Meters	Kgs	Lbs	Qty.	Type
RSB1	1 board O-Side Bracket	0.42	4.92	10.84	110	Rack
RSB2	2 board O-Side Bracket	0.73	6.70	14.76	66	Rack
RSB3	3 board O-Side Bracket	1.09	9.00	19.82	50	Rack

RINGLOCK

Ringlock Side Bracket

[Side/Hop-up Bracket U-Type]

The side/hop-up bracket is used to extend the working platform closer to the building structure. Steel Grade: S235 or S355. Surface treatment: Hot dip galvanized.

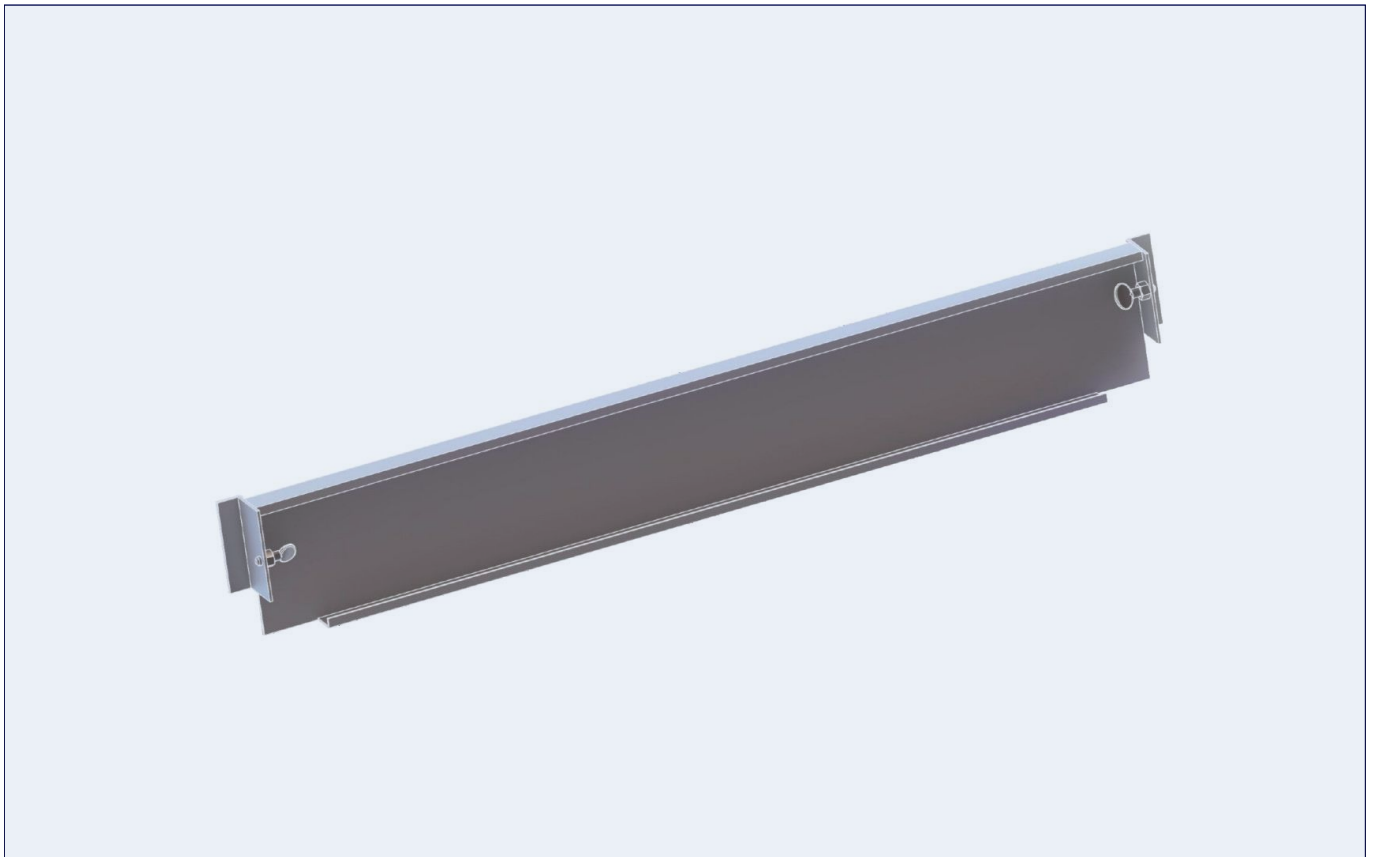


Item No.	Description	Height	Weight (kgs)		Packaging	
		Meters	Kgs	Lbs	Qty.	Type
RSBU1	U-Side Bracket 1 board	0.42	7.20	15.86	110	Rack
RSBU2	U-Side Bracket 2 board	0.73	9.10	20.04	66	Rack
RSBU3	U-Side Bracket 3 board	1.09	11.20	24.67	50	Rack

Steel Toe Board

[Steel Toe Board-Bolted Type]

Steel Toe Board, Height: 150mm, S235 Steel sheet, Surface treatment: Pre-galvanized.



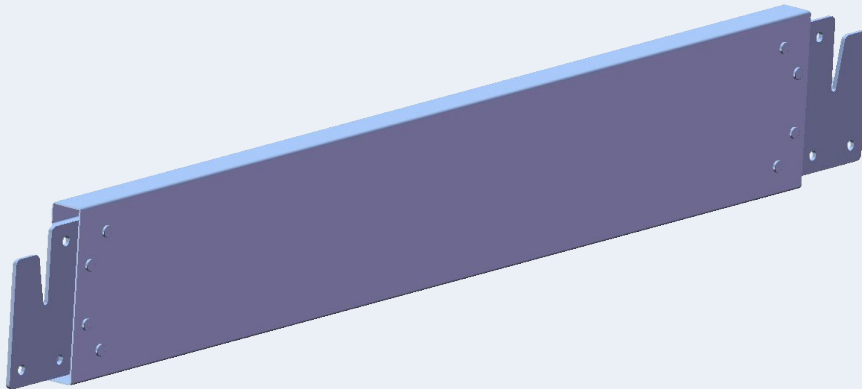
Item No.	Description	Height	Weight (kgs)		Packaging	
		Meters	Kgs	Lbs	Qty.	Type
RSTB073	0.73M Toe Board	0.73	2.15	4.74	280	Rack
RSTB109	1.09M Toe Board	1.09	3.09	6.81	140	Rack
RSTB129	1.40M Toe Board	1.40	3.89	8.57	140	Rack
RSTB157	1.57M Toe Board	1.57	4.34	9.56	140	Rack
RSTB207	2.07M Toe Board	2.07	5.64	12.42	140	Rack
RSTB257	2.57M Toe Board	2.57	6.94	15.29	140	Rack
RSTB307	3.07M Toe Board	3.07	8.24	18.15	140	Rack

RINGLOCK

Steel Toe Board

[Steel Toe Board-Hook Type]

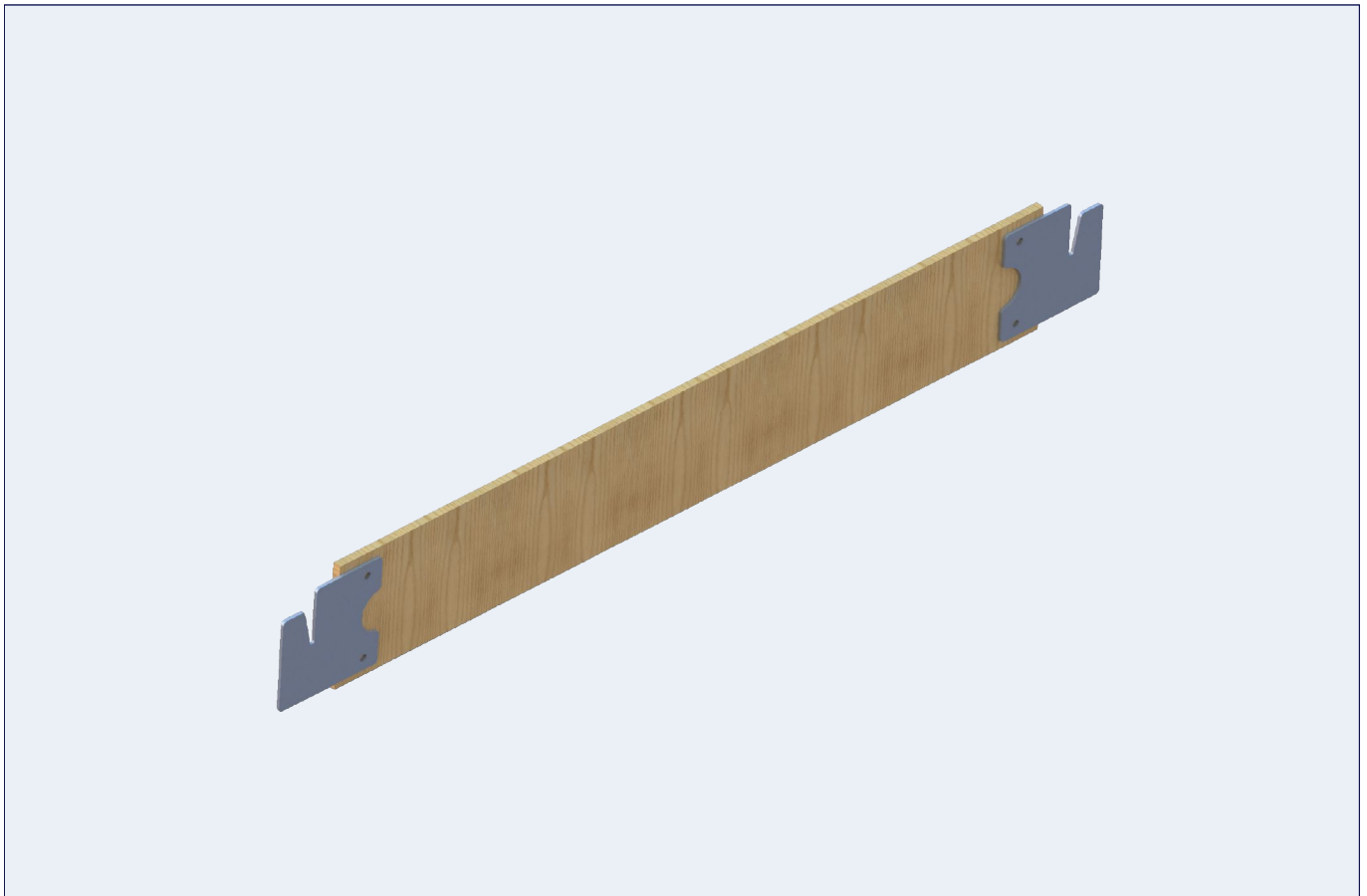
Ringlock Steel Toe Board, Height:150mm, Steel Grade: S235. Surface treatment:Pre-galvanized.



Item No.	Description	Height	Weight (kgs)		Packaging	
		Meters	Kgs	Lbs	Qty.	Type
RSTBH073	0.73M Toe Board	0.73	2.66	5.86	280	Rack
RSTBH109	1.09M Toe Board	1.09	3.69	8.13	140	Rack
RSTBH129	1.29M Toe Board	1.40	4.58	10.09	140	Rack
RSTBH157	1.57M Toe Board	1.57	5.05	11.12	140	Rack
RSTBH207	2.07M Toe Board	2.07	6.48	14.27	140	Rack
RSTBH257	2.57M Toe Board	2.57	7.90	17.40	140	Rack
RSTBH307	3.07M Toe Board	3.07	9.33	20.55	140	Rack

Wooden Toe Board

Ringlock Wood Toe Board, Wood. Width:150mm, Height:30mm,Wood

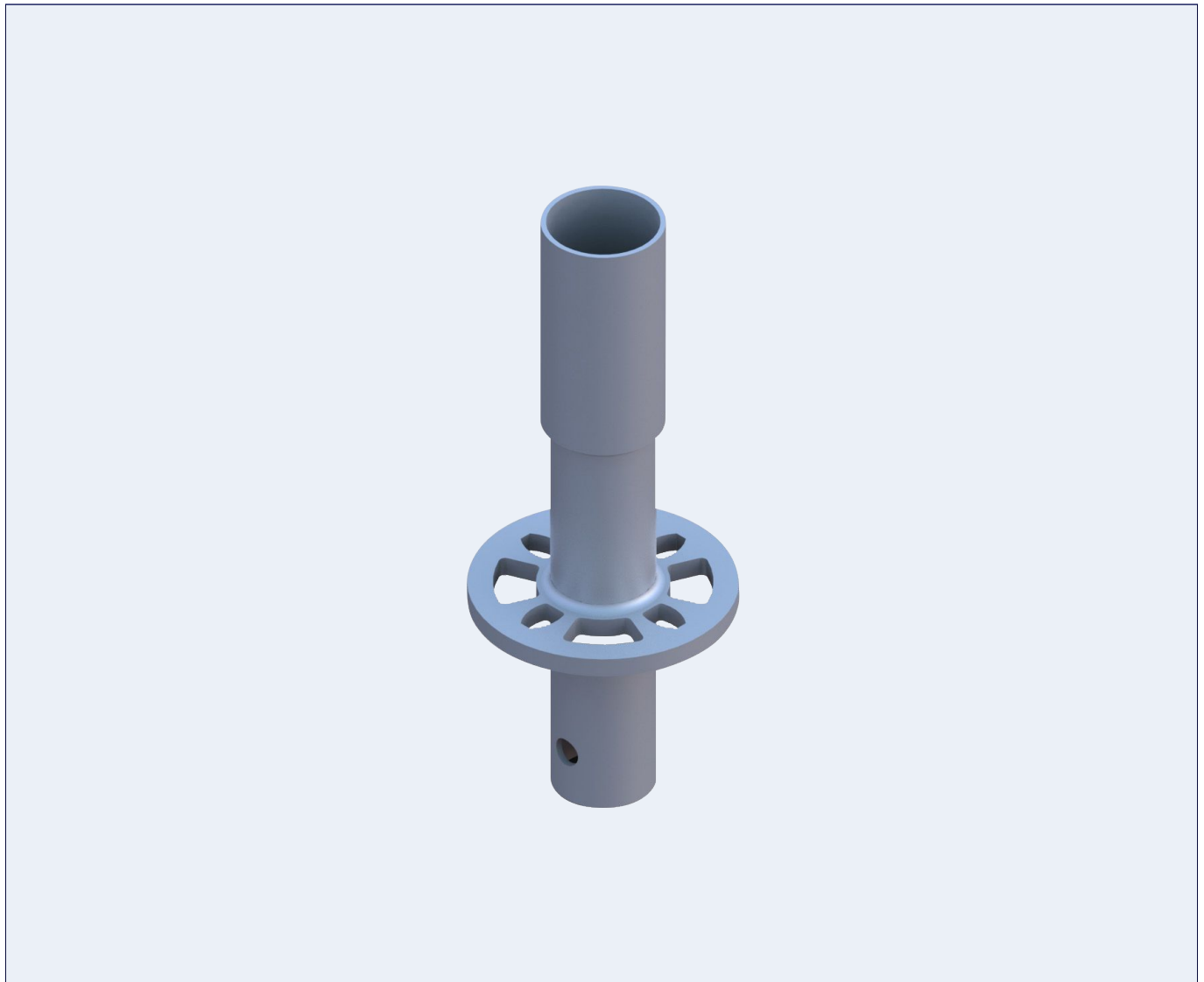


Item No.	Description	Height	Weight (kgs)		Packaging	
		Meters	Kgs	Lbs	Qty.	Type
RWTB073	0.73M O-Toe Board	0.73	3.14	6.92	280	Rack
RWTB109	1.09M O-Toe Board	1.09	4.28	9.43	140	Rack
RWTB129	1.40M O-Toe Board	1.40	5.25	11.56	140	Rack
RWTB157	1.57M O-Toe Board	1.57	5.79	12.75	140	Rack
RWTB207	2.07M O-Toe Board	2.07	7.36	16.21	140	Rack
RWTB257	2.57M O-Toe Board	2.57	8.94	19.69	140	Rack
RWTB307	3.07M O-Toe Board	3.07	10.51	23.15	140	Rack

RINGLOCK

Starter/ Base Collar

The base collar is the beginning of the Ringlock scaffolding system. It sits upon a fixed or adjustable base.

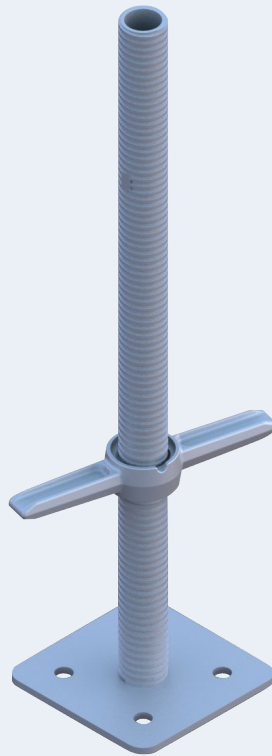


Item No.	Description	Height	Weight (kgs)		Packaging	
		Meters	Kgs	Lbs	Qty.	Type
RSBC1	Starter/Base Collar	0.24	1.70	3.74	385	Rack
RSBC2	Starter/Base Collar	0.31	1.80	3.96	385	Rack

RINGLOCK

Adjustable Base Jack

Ringlock adjustable base jack is used for leveling the scaffold-standards at the same height. OD: 38.1x4.5mm. Base plate: 150x150x6mm. Surface treatment: Hot dip galvanized or Electroplated.

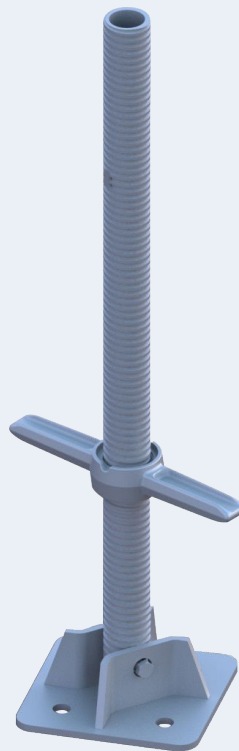


Item No.	Description	Height	Weight (kgs)		Packaging	
		Meters	Kgs	Lbs	Qty.	Type
CSJB	0.6M Adjustable Base Jack	0.60	3.40	7.49	220	Rack

RINGLOCK

Swivel Base Jack

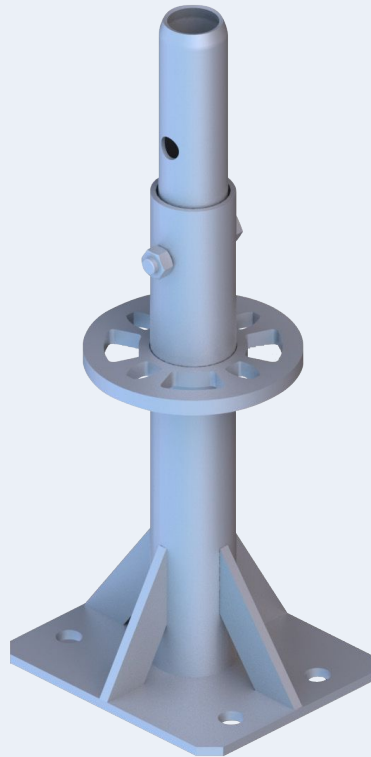
The swivel base jack can be used when standards need to be placed on slopes. OD: 38.1x4.5mm. Base plate: 150x150x6mm. Surface treatment: Hot dip galvanized or Electroplated.



Item No.	Description	Height	Weight (kgs)		Packaging	
		Meters	Kgs	Lbs	Qty.	Type
CSJS	0.6M Swivel Base Jack	0.60	4.27	8.15	220	Rack

Adjustable Caster Adapter

Caster Adapter is mainly used for connecting caster wheel to the vertical pole.



Item No.	Description	Weight (kgs)		Packaging	
		Kgs	Lbs	Qty.	Type
RACA8	Adjustable Caster Adapter(8" Caster)	3.70	8.15	144	Rack + Insert
RACA12	Adjustable Caster Adapter(12" Caster)	4.02	8.85	144	Rack + Insert

RINGLOCK

Caster Wheel

Scaffolding caster wheel is used at bottom of scaffolding vertical tube, enabling the scaffolding system to be a mobile Platform.

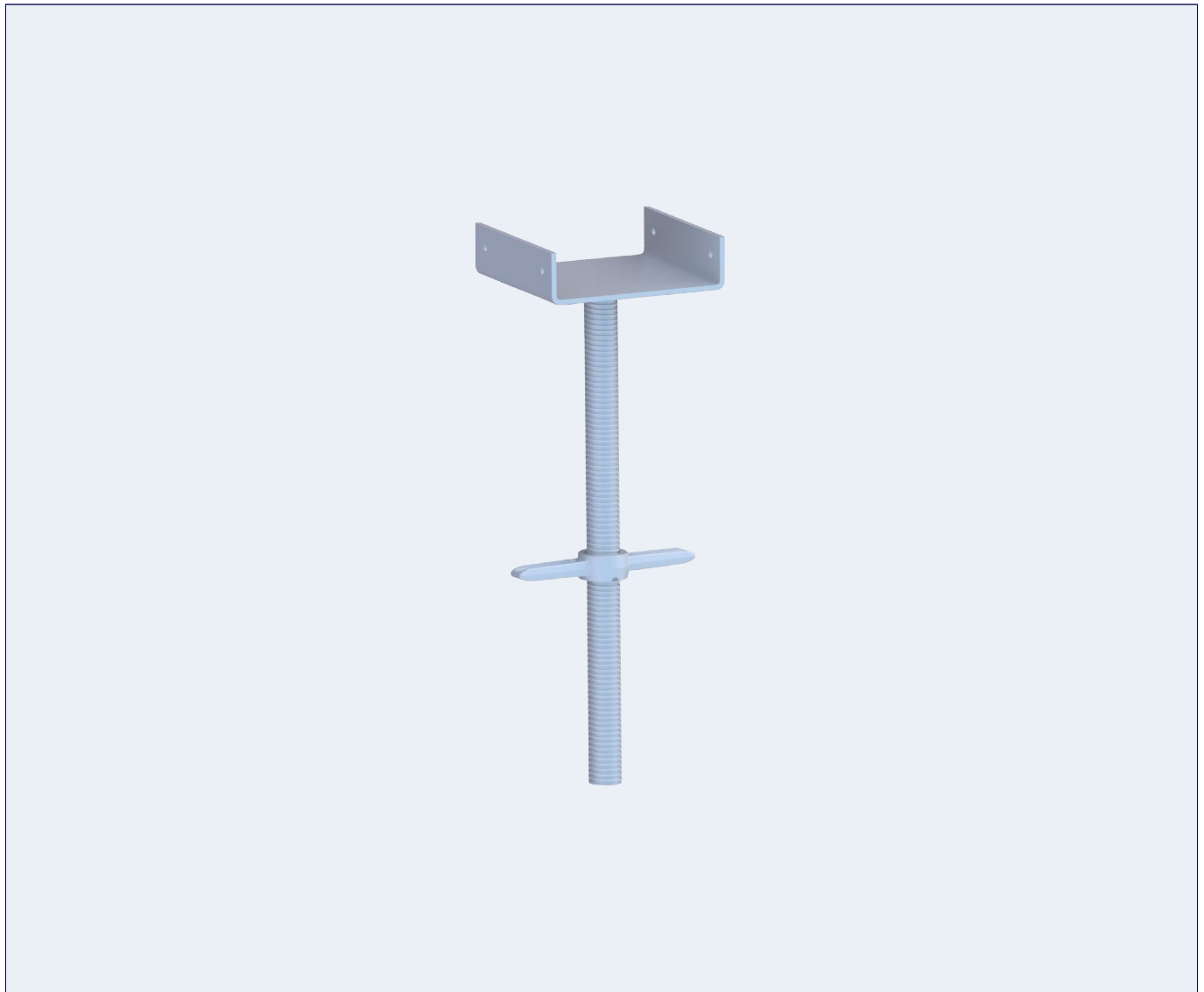


Item No.	Description	Height	Weight (kgs)		Packaging	
		Meters	Kgs	Lbs	Qty.	Type
CW12	8" Caster Wheel	0.20	4.50	9.91	100	Rack
CW12	12" Caster Wheel	0.30	19.00	41.85	100	Rack

RINGLOCK

U Head

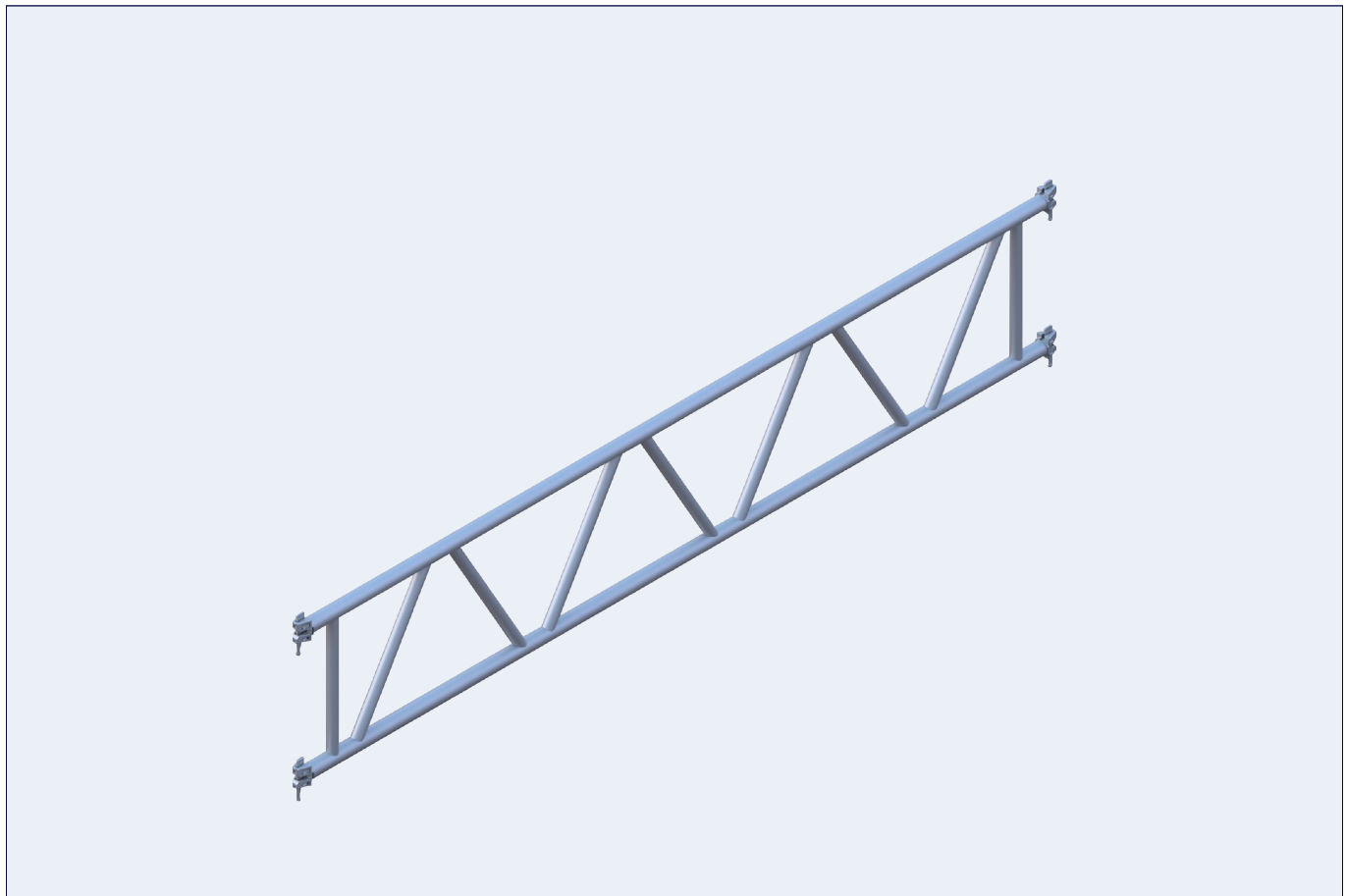
U head is used for the support for steel beams. OD:38.1x4.5mm. Plate: 150x150x6mm. Surface Treatment: Hot dip galvanized or Electroplated.



Item No.	Description	Height	Weight (kgs)		Packaging	
		Meters	Kgs	Lbs	Qty.	Type
RUH600	0.6M U head	0.60	4.40	9.69	220	Rack

Ringlock Lattice Beam

The Lattice beam have a high load-bearing capacity allows for bridging over larger span. Tube size: 48.3x3.2mm. Steel Grade: S235 or S355. Surface Treatment: Hot dip galvanized/Pre-galvanized

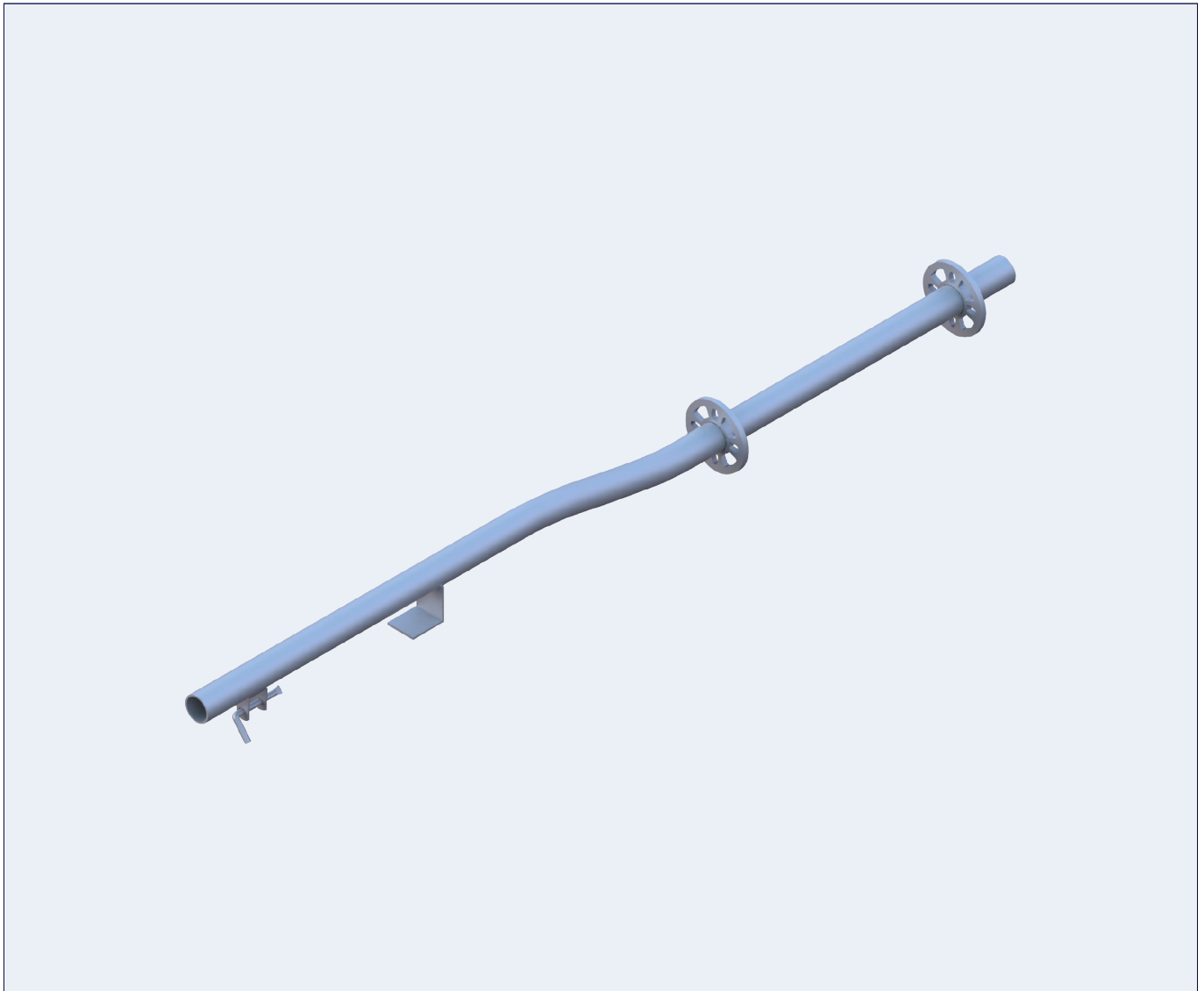


Item No.	Description	Height	Weight (kgs)		Packaging	
		Meters	Kgs	Lbs	Qty.	Type
RLB207	2.07M Lattic Beam	2.07	23.00	50.66	20	Bundle
RLB257	2.57M Lattic Beam	2.57	28.52	62.82	20	Bundle
RLB307	3.07M Lattic Beam	3.07	32.07	70.64	20	Bundle
RLB414	4.14M Lattic Beam	4.14	43.24	109.90	20	Bundle
RLB514	5.14M Lattic Beam	5.14	54.27	109.90	20	Bundle
RLB614	6.14M Lattic Beam	6.14	63.34	139.52	20	Bundle

RINGLOCK

Guardrail Post/Standard

The guardrail Standard is designed to provide a vertical connection to secure Ledger. Surface treatment: Hot dip galvanized.

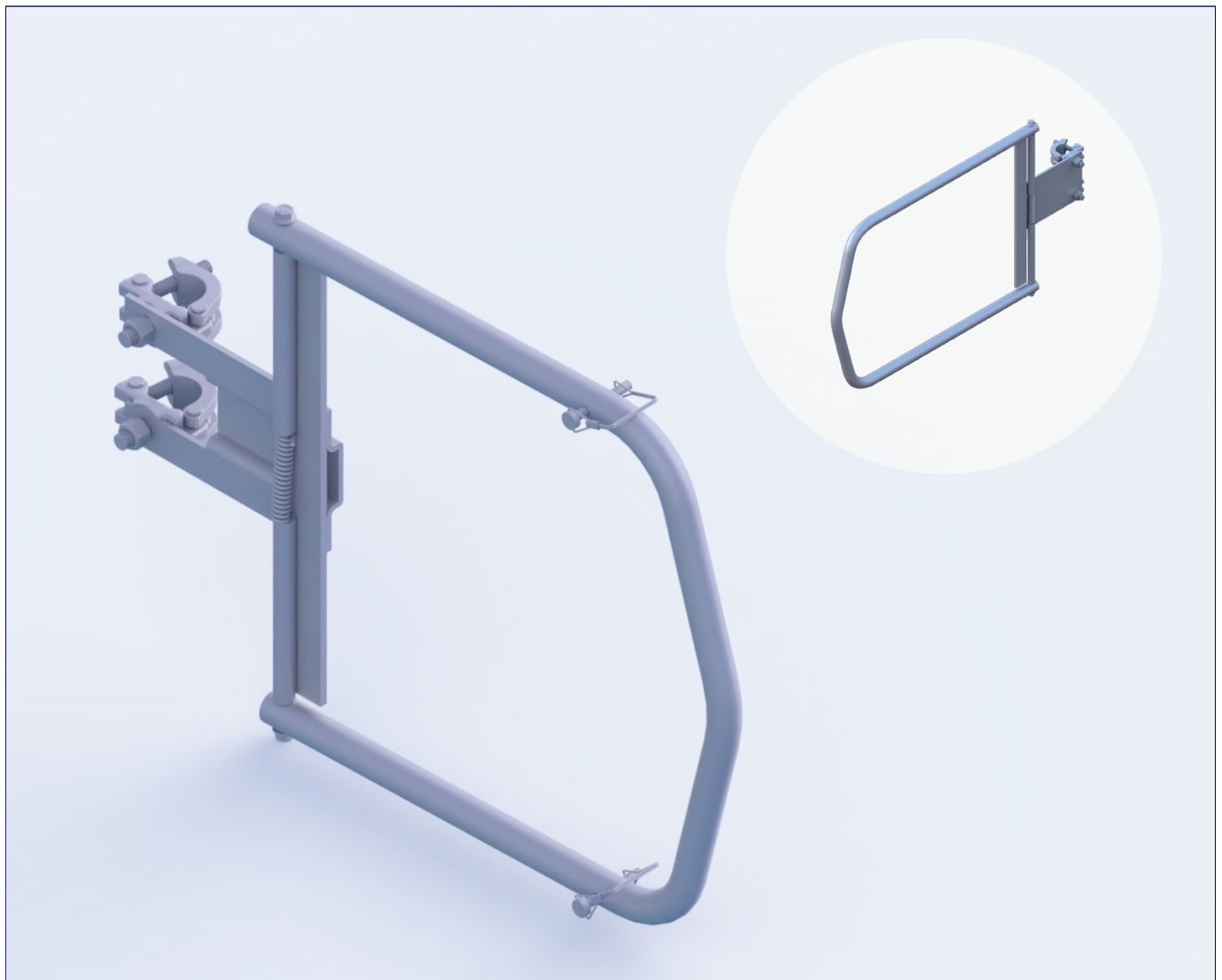


Item No.	Description	Height	Weight (kgs)		Packaging	
		Meters	Kgs	Lbs	Qty.	Type
RGP	1.5M Guardrail Post	1.50	8.32	18.33	70	Rack

RINGLOCK

Safety Gate

The safety gate allows safe access to the working platform. The sprung gate mechanism ensures that the access opening remains fully closed when the scaffold is in use.

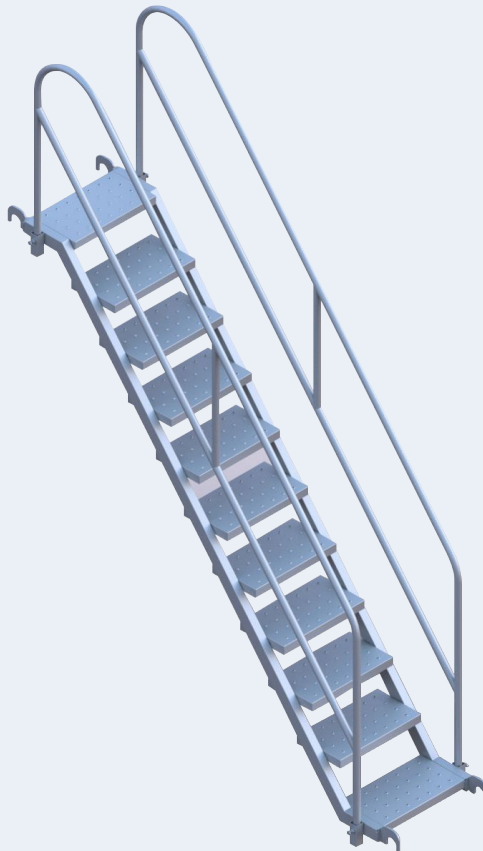


Item No.	Description	Min Extension	Max Extension		Packaging	
		Meters	Meters	Inches	Qty.	Type
RCW	0.73M Gate Expandable Safety Gate	0.64~0.81	5.20	11.45	36	Rack
RCWL	1.09M Gate Expandable Safety Gate	0.88~1.4	9.00	19.82	36	Rack

Steel Stair with Handrails

[Steel Stair with Handrails 2.0m Lift O-Type]

Steel Stair with Handrails, 500mm Width, Q235 Steel, Hot Dip Galvanized

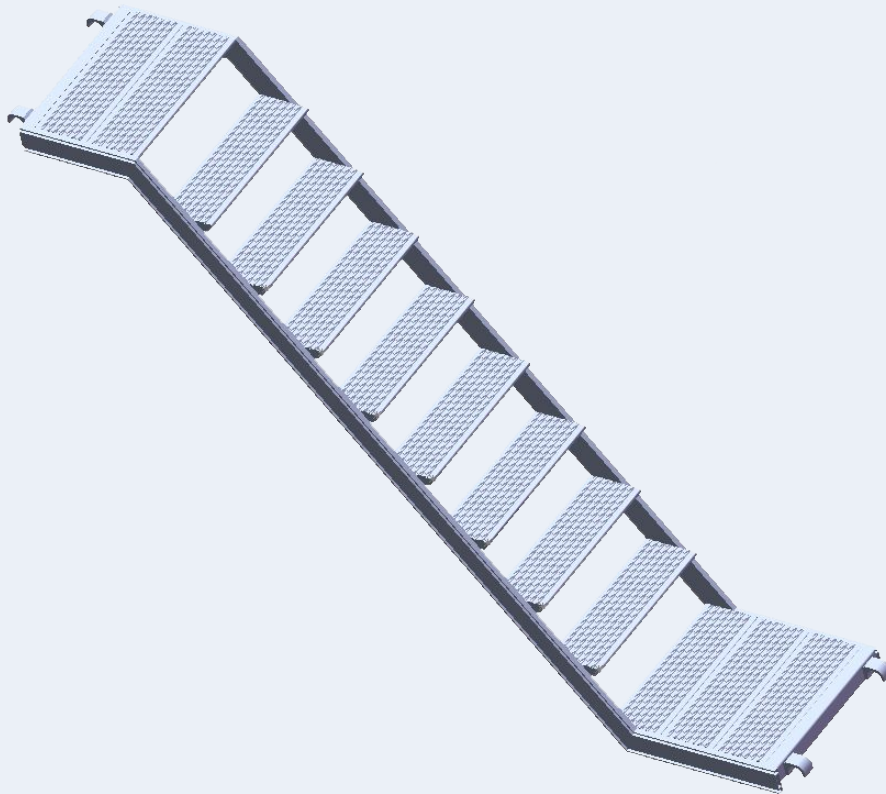


Item No.	Description	Height	Weight (kgs)		Packaging	
		Meters	Kgs	Lbs	Qty.	Type
RSPS257	Steel Stair with Handrails	2.57x0.64	77.80	171.37	14	Rack
RAPS307	Steel Stair with Handrails	3.07x0.64	92.94	204.71	14	Rack

Aluminum Platform Stair

[Aluminum Platform Stair 2.0m Lift O-Type]

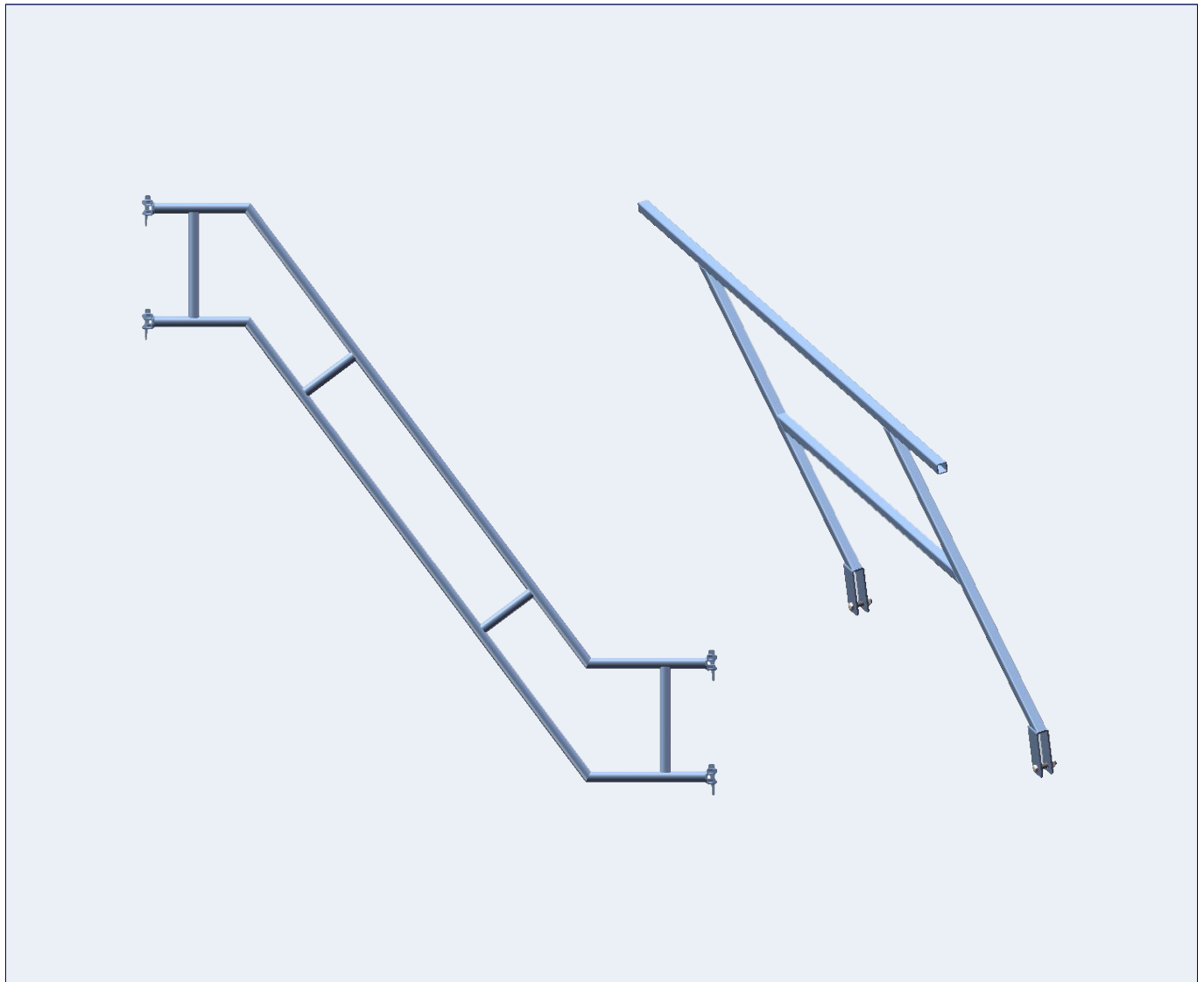
Aluminium Platform Stair O-Type is a complete stair unit with built-in landings.



Item No.	Description	Height	Weight (kgs)		Packaging	
		Meters	Kgs	Lbs	Qty.	Type
RAPS257	Aluminum Platform Stair	2.57x0.64	28.00	61.67	13	Rack
RAPS307	Aluminum Platform Stair	3.07x0.64	33.00	72.69	13	Rack

Platform Stairs Guardrails

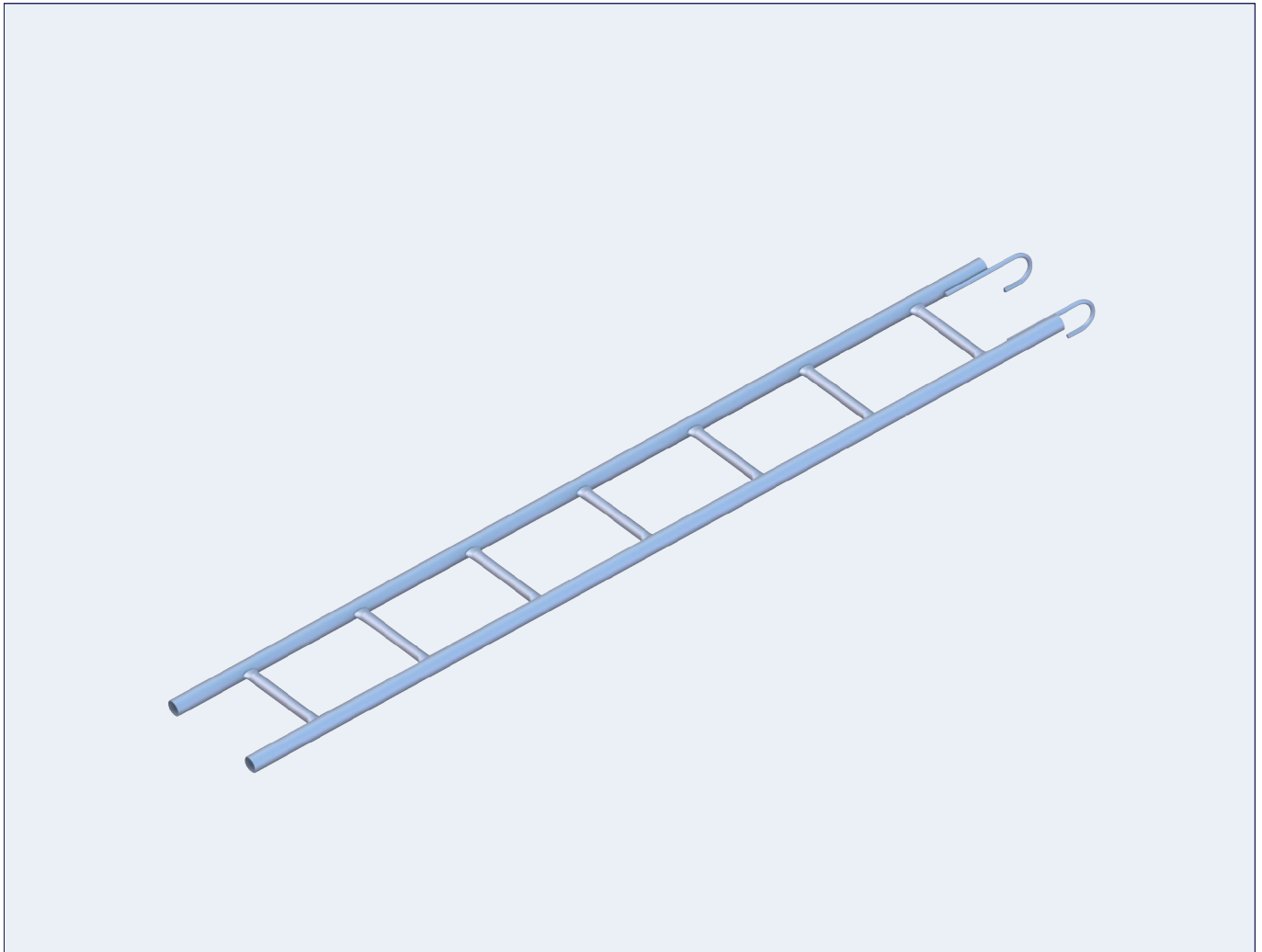
The Steel Stair Guardrails are used to provide handrails on the inner side and outer side of the Aluminium Stair Platforms.



Item No.	Description	Height	Weight (kgs)		Packaging	
		Meters	Kgs	Lbs	Qty.	Type
RPSGO257	Outer Guardrail	2.57x2.0	22.65	49.89	20	Rack
RPSGO307	Outer Guardrail	3.07x2.0	25.20	55.51	20	Rack
RPSGI307	Internal Guardrail	2.57/3.07x2.0	11.50	25.33	20	Rack

Monkey Ladder

The Monkey Ladder, Tube Size: OD42x2mm, Steel Type: Q235. Surface Treatment: Hot dip galvanized. It is designed to provide safe access to the various deck levels.

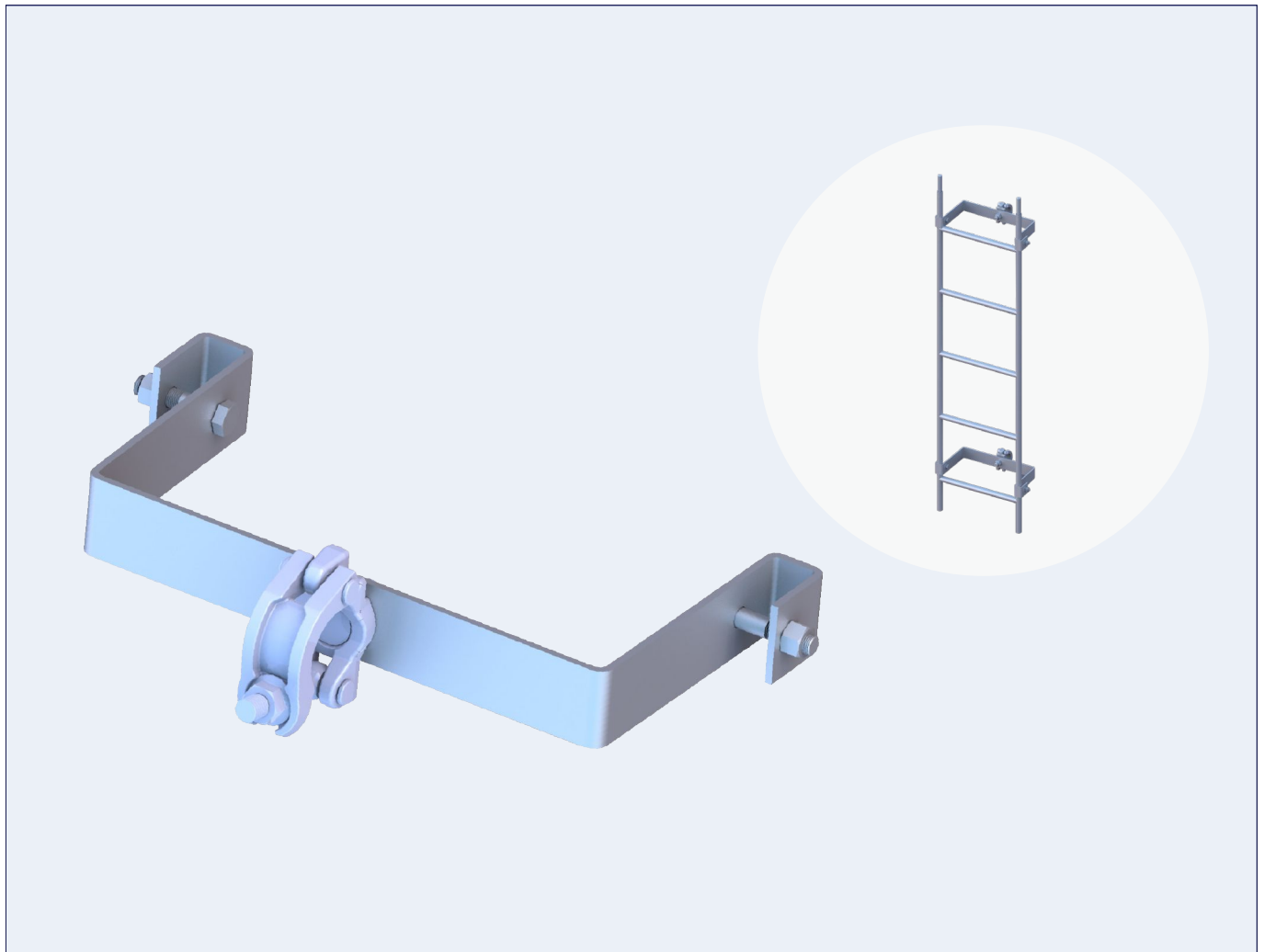


Item No.	Description	Height	Weight (kgs)		Packaging	
		Meters	Kgs	Lbs	Qty.	Type
RML2220	2.22M Monkey Ladder	2.22	12.10	26.65	25	Bundle
RML2780	2.78M Monkey Ladder	2.78	15.50	34.14	25	Bundle
RML3330	3.33M Monkey Ladder	3.33	18.50	40.75	25	Bundle

RINGLOCK

Ladder and Ladder Bracket

The Ladder is designed to attach (using Ladder Brackets) on the inside or outside of a scaffold to provide safe access to the various deck levels.



Item No.	Description	Height	Weight (kgs)		Packaging	
		Meters	Kgs	Lbs	Qty.	Type
RSAL1	1.0M Ladder	1.00	9.80	21.59	25.00	Bundle
RSAL2	2.0M Ladder	2.00	15.00	33.04	25.00	Bundle
RSAL3	3.0M Ladder	3.00	18.60	40.97	25.00	Bundle
RSALB	Ladder Bracket	0.35	3.00	6.61	170.00	Rack+Insert

RINGLOCK

Ringlock Accessories

[Ringlock Spigot Adapter Clamp]

The spigot Adapter Clampp allows the connection of Ringlock Standards at intermediate locations along the length of O-Type Ledgers, Truss Ledgers and Girders.

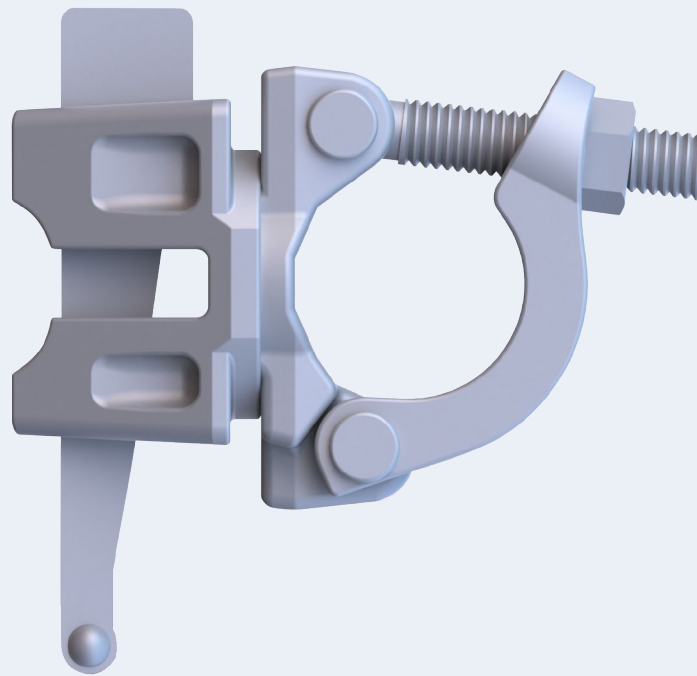


Item No.	Description	Weight (kgs)		Packaging	
		Kgs	Lbs	Qty.	Type
RSC	Spigot Adapter Clamp	1.70	3.74	650	Rack+Insert

RINGLOCK

Right Angle Adapter Clamp

The right angle wedge head coupler is designed to easily join a scaffold tube directly to the rosette at 90 degrees.

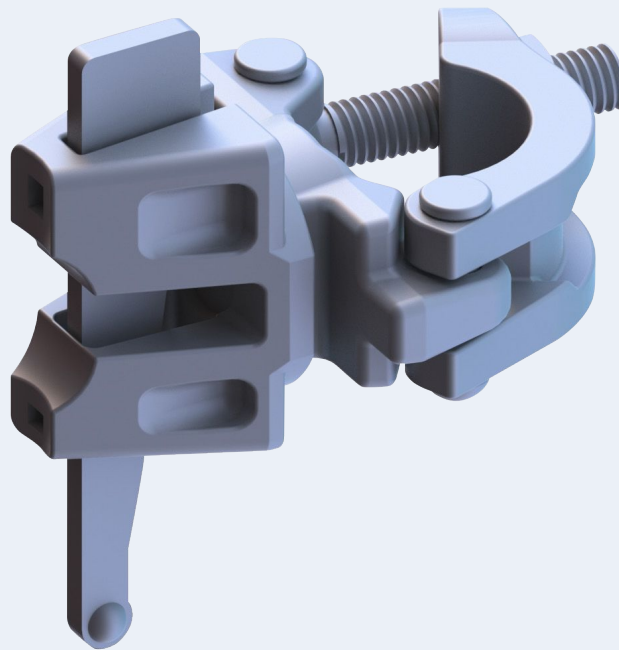


Item No.	Description	Weight (kgs)		Packaging	
		Kgs	Lbs	Qty.	Type
RWR	Wedge head coupler, right angle, 1 bolt	1.56	3.44	650	Rack + Insert

RINGLOCK

Wedge Head Swivel Coupler

The swivel adapter clamp is designed to easily join a scaffold tube to the rosette of a Ringlock scaffold producing a variety of angles and configurations.

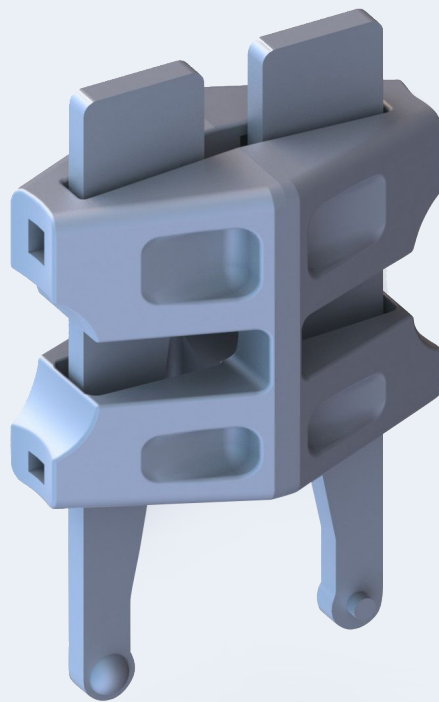


Item No.	Description	Weight (kgs)		Packaging	
		Kgs	Lbs	Qty.	Type
RWS	Wedge head coupler, swivel, 1 bolt	1.60	3.52	650	Rack + Insert

RINGLOCK

Wedge Head Coupler

Wedge head coupler allows the connection of ringlock standards to enforce its strength.

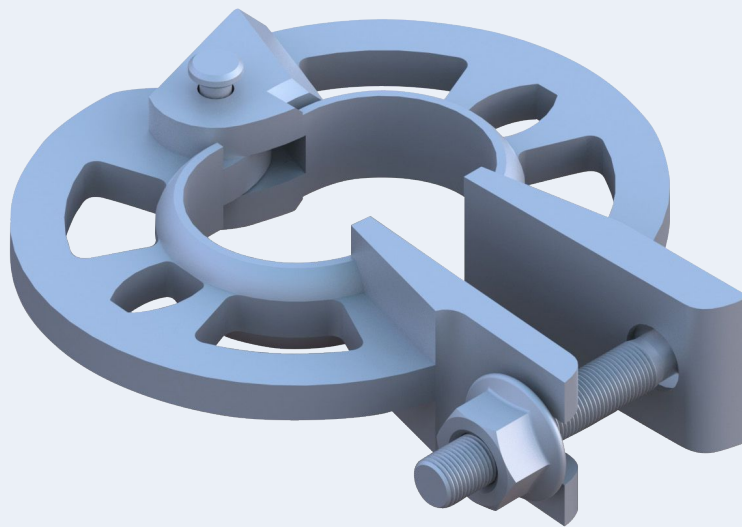


Item No.	Description	Weight (kgs)		Packaging	
		Kgs	Lbs	Qty.	Type
WHC	Wedge head coupler	1.40	3.08	650	Rack + Insert

RINGLOCK

Rosette Clamp

The rosette clamp is used to add a rosette at any point on a vertical standard or tube.

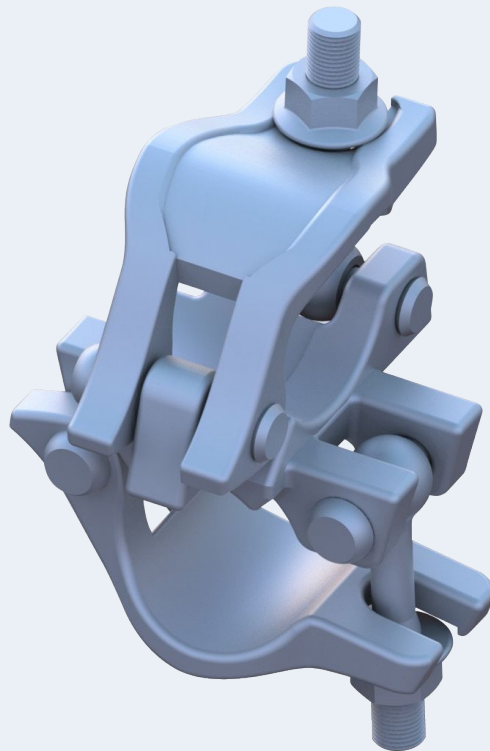


Item No.	Description	Weight (kgs)		Packaging	
		Kgs	Lbs	Qty.	Type
RRC	Rosette Clamp, 22mm	1.19	2.62	750	Rack + Insert

RINGLOCK

Right Angle Clamp

The Right Angle Clamp British is designed to be used in conjunction with scaffold tube to create 90 degree angles.



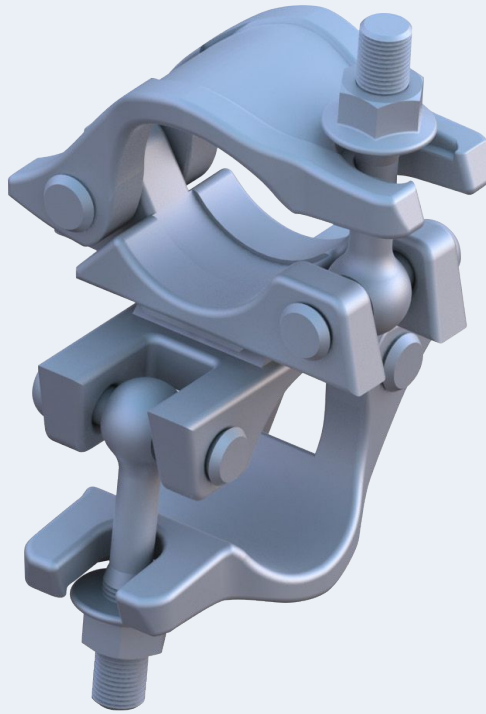
Item No.	Description	Weight (kgs)		Packaging	
		Kgs	Lbs	Qty.	Type
RCA	Right Angle Clamp	1.00	3.30	700	Rack + Insert

* Product available in a Nut Size of 21mm (UK), 22mm (7/8" N. America) and 23mm (Aus.)

RINGLOCK

Swivel Clamp

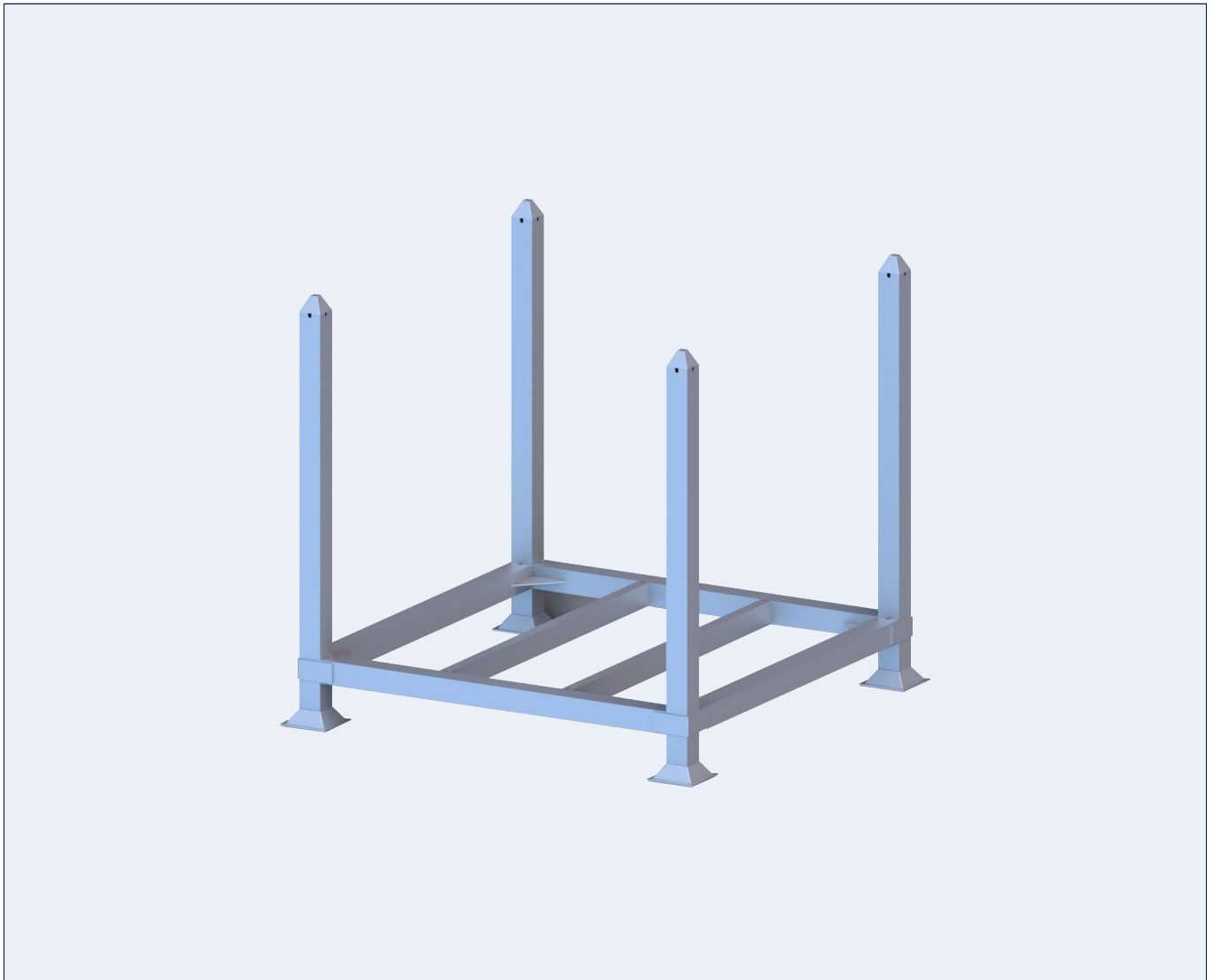
The Swivel Clamp British is designed to be used in conjunction with scaffold tube to create a variety of angles.



Item No.	Description	Weight (kgs)		Packaging	
		Kgs	Lbs	Qty.	Type
RCS	Swivel Clamp	1.10	4.03	700	Rack + Insert

Scaffold Rack

The scaffold rack is designed to load scaffolding components for transportation.



Item No.	Description	Weight (kgs)		Packaging	
		Kgs	Lbs	Qty.	Type
CSR1	Scaffold Rack 1.06x1.06x0.87M	46.00	101.32	1	Rack
CSR2	Scaffold Rack 1.06x1.06x1.10M	55.00	121.15	1	Rack

Scaffold High Rack

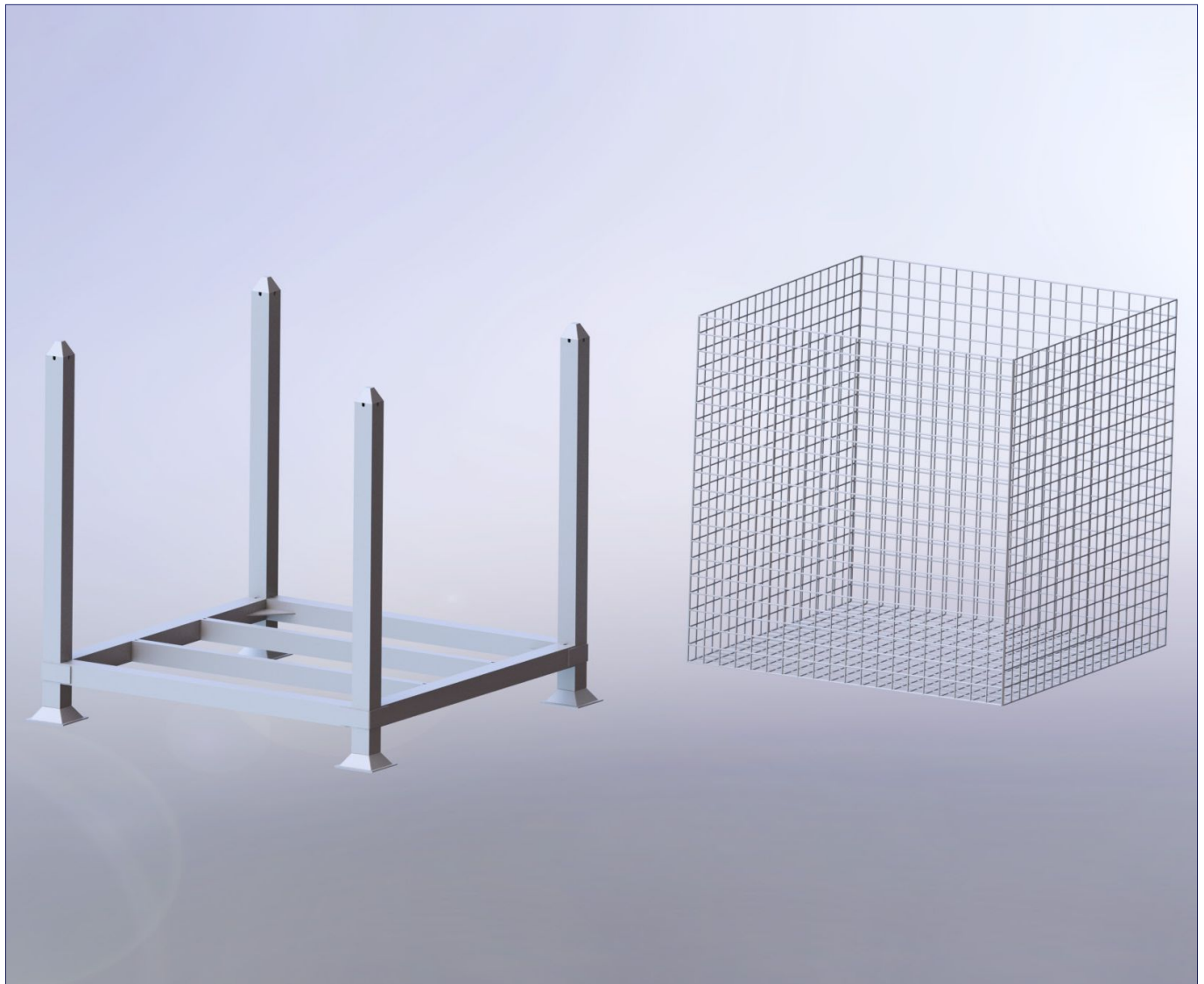
The scaffold High rack is designed for steel planks.



Item No.	Description	Weight (kgs)		Packaging	
		Kgs	Lbs	Qty.	Type
CSR1	Scaffold High Rack 1.5x1.095x2.0M	80.00	176.21	1	Rack
CSR2	Scaffold High Rack 2.0x1.095x2.0M	85.00	187.22	1	Rack

Scaffold Cage Insert

The scaffold cage insert is designed to fit into the storage rack, to create the Basket for storage of clamps and accessories.



Item No.	Description	Weight (kgs)		Packaging	
		Kgs	Lbs	Qty.	Type
CSCI	Scaffold Cage Insert 1.06x1.06x0.87M	70.00	154.19	1	Rack

RINGLOCK SYSTEM

U.K, Australia and New Zealand

[CHINA]

5 Xingnan Street, Suzhou, Jiangsu 215021

[USA]

LA, USA: 343 Phosphor Ave, Metairie LA. 70005.

Tel: +1-504-432-1124 Jose Chaumont.

Utah, USA: 6225 S High Blu Dr., West Valley Utah 84118.

Tel: +1-866-300-6688 Jim Fraser.

TX, USA: 4740 Ingersoll St, Suite 102 Houston TX 77027.

Tel: +1-504-432-1124 Jose Chaumont.

[CHILE]

Tel: +56 978 082717 Bernardo Gutiérrez

[EMAIL]

coronet@coronet-scaffold.com

[WEB]

www.coronet.com / www.coronet-scaffold.com

We are the leading scaffolding supplier.